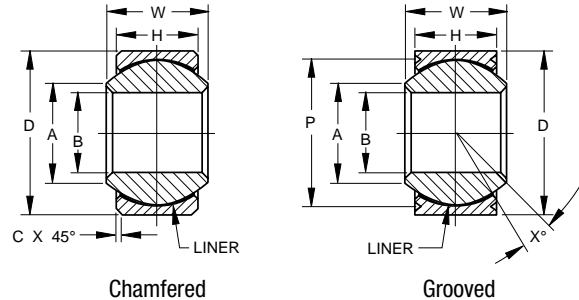


## MS21231 & MS21230 SELF-LUBRICATED SPHERICAL BEARING, WIDE

- AS8942 (formerly MIL-B-8942)
- Wide series, self-lubricated
- Operating temperature range  
-65°F to +250°F (-53.9°C to +121.1°C)
- Low wear
- Material  
Outer ring: CRES 17-4PH, AMS 5643, HRC 28 min.  
Inner ring: CRES 440C, AMS 5630, HRC 55 min.  
Liner: Fabroid® or “E” Uniflon® qualified to AS8942



SPHERICAL BEARINGS

### SPECIFICATIONS AND ORDERING INFORMATION

#### DIMENSIONS – TOLERANCES

03-704 Chamfered 03-706 Grooved Dash No.	WExB WEGxB Dash No.	MS21231 Chamfered MS21230 Grooved Dash No.	B		D		H		W		A		c <sup>(1)</sup>		p <sup>(2)</sup> Groove Pitch Diameter		X° Ref.
			in.	mm	in.	mm	in.	mm	in.	mm	in.	mm	in.	mm	in.	mm	
-03			.1900	4.826	.6250	15.875	.327	8.31	.437	11.10	.300	7.62	.010	0.25	.563	14.30	15
-04			.2500	6.350	.6250	15.875	.327	8.31	.437	11.10	.300	7.62	.010	0.25	.563	14.30	15
-05			.3125	7.938	.6875	17.462	.317	8.05	.437	11.10	.360	9.14	.010	0.25	.625	15.87	14
-06			.3750	9.525	.8125	20.638	.406	10.31	.500	12.70	.466	11.84	.010	0.25	.714	18.14	8
-07A <sup>(2)</sup>			.4375	11.112	.9062	23.017	.442	11.23	.562	14.27	.537	13.64	.010	0.25	.808	20.52	10
-07			.4375	11.112	.9375	23.812	.442	11.23	.562	14.27	.537	13.64	.010	0.25	.839	21.31	10
-08			.5000	12.700	1.0000	25.400	.505	12.83	.625	15.88	.607	15.42	.010	0.25	.902	22.91	9
-09			.5625	14.288	1.1250	28.575	.536	13.61	.687	17.45	.721	18.31	.010	0.25	1.027	26.09	10
-10			.6250	15.875	1.1875	30.162	.567	14.40	.750	19.05	.747	18.97	.010	0.25	1.089	27.66	12
-12			.7500	19.050	1.3750	34.925	.630	16.00	.875	22.22	.845	21.46	.010	0.25	1.253	31.83	13
-14			.8750	22.225	1.6250	41.275	.755	19.18	.875	22.22	.995	25.27	.010	0.25	1.503	38.18	6
-16			1.0000	25.400	2.1250	53.975	1.005	25.53	1.375	34.92	1.269	32.23	.010	0.25	2.003	50.88	12

<sup>(1)</sup>Chamfered Type only. <sup>(2)</sup>Grooved Type only. See page 17 for groove dimensions.

#### LOAD RATINGS

03-704 BS Chamfered Type 03-706 SBSH Grooved Type	WExB WEGxB Dash No.	Oscillating Radial Load Rating <sup>(1)</sup>		Radial Limit Load Rating <sup>(1)</sup>		Axial Limit Load Rating <sup>(1)</sup>		No Load Rational Breakaway Torque		Weight Max.	
		lbf.	N	lbf.	N	lbf.	N	in.-lbs.	N-m	lbs.	kg
-03		3770	16600	9000	40000	1770	7800	.5-5	.06-.56	.031	.014
-04		3770	16600	9000	40000	1770	7800	1-5	.11-.56	.031	.014
-05		4650	20800	9400	41500	1640	7350	1-5	.11-.56	.035	.016
-06		6390	28500	13700	61000	2630	11600	1-5	.11-.56	.060	.027
-07A <sup>(2)</sup>		9390	41500	20700	91500	3650	16300	1-5	.11-.56	.080	.036
-07		9390	41500	20700	91500	3650	16300	1-5	.11-.56	.080	.036
-08		12150	54000	27500	122000	4970	22000	1-5	.11-.56	.100	.045
-09		14900	67000	34400	153000	5370	24000	1-5	.11-.56	.135	.061
-10		16700	75000	39000	173000	6130	27500	1-5	.11-.56	.160	.072
-12		22100	98000	52300	232000	7730	34500	1-5	.11-.56	.240	.110
-14		28200	125000	67300	300000	10800	48000	2-8	.23-.90	.350	.160
-16		53700	240000	137000	610000	19300	86500	2-8	.23-.90	.970	.440

<sup>(1)</sup>Load ratings based on AS8942. (For -3 and -4 sizes, limited load is limited by pin bending.)