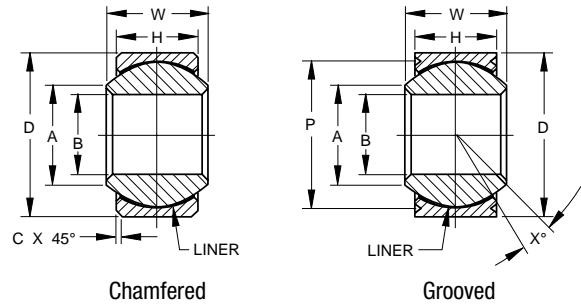


EN4613 SELF-LUBRICATED SPHERICAL BEARING, NARROW

- Narrow series, self-lubricated
- High temperature — low wear
-67°F to +325°F (-55°C to +163°C)
Liner capable to 450°F (232°C)
- Material
Outer ring: CRES 17-4PH, AMS 5643
Inner ring: CRES 440C, AMS 5630
Liner: Composite liner qualified to AS81820, EN2755 pending



SPECIFICATIONS AND ORDERING INFORMATION

DIMENSIONS — TOLERANCES

03-861 Chamfered 03-863 Grooved Dash No.	NE NEG Dash No.	EN4613S Chamfered EN4613R Grooved Dash No.	B		D		H		W		A		C ⁽¹⁾		P ⁽²⁾ Groove Pitch Diameter		X° Min.
			+0.00, -0.005 +0.00, -0.13	+0.00, -0.005 +0.00, -0.130	±.005 ±.13	+0.00, -0.002 +0.00, -0.050	Ref.	+0.01, -0.00 +0.25, -0.00	+0.0 in., -0.010 in. +0.0 mm, -0.25mm								
Chamfered/Grooved Part Numbers			in.	mm	in.	mm	in.	mm	in.	mm	in.	mm	in.	mm	in.	mm	
-03	3	-3	.1900	4.826	.5625	14.288	.218	5.54	.281	7.14	.336	8.53	0.0200	0.508	.500	12.70	10
-04	4	-4	.2500	6.350	.6562	16.667	.250	6.35	.343	8.71	.364	9.25	0.0200	0.508	.594	15.09	10
-05 ⁽¹⁾	5 ⁽¹⁾	-5 ⁽¹⁾	.3125	7.938	.7500	19.050	.281	7.14	.375	9.52	.461	11.71	0.0200	0.508	.660	16.76	10
-06	6	-6	.3750	9.525	.8125	20.638	.312	7.92	.406	10.31	.475	12.06	0.0300	0.762	.712	18.08	9
-07	7	-7	.4375	11.112	.9062	23.017	.343	8.71	.437	11.10	.530	13.46	0.0300	0.762	.806	20.47	8
-08	8	-8	.5000	12.700	1.0000	25.400	.390	9.91	.500	12.70	.600	15.24	0.0300	0.762	.876	22.25	8
-09	9	-9	.5625	14.288	1.0937	27.780	.437	11.10	.562	14.27	.670	17.02	0.0300	0.762	.970	24.64	8
-10	10	-10	.6250	15.875	1.1875	30.162	.500	12.70	.625	15.88	.739	18.77	0.0300	0.762	1.063	27.00	8
-12	12	-12	.7500	19.050	1.4375	36.512	.593	15.06	.750	19.05	1.000	25.40	0.0400	1.016	1.313	33.35	8
-14	14	-14	.8750	22.225	1.5625	39.688	.703	17.86	.875	22.22	.980	24.89	0.0400	1.016	1.438	36.53	8
-16	16	-16	1.0000	25.400	1.7500	44.450	.797	20.24	1.000	25.40	1.118	28.40	0.0400	1.016	1.626	41.30	9
-20	20	-20	1.2500	31.750	2.0000	50.800	.942	23.93	1.093	27.76	1.434	36.42	0.0400	1.016	1.626	47.65	5.5
-24	24	-24	1.5000	38.100	2.4370	61.912	1.130	28.70	1.312	33.33	1.828	46.43	0.0400	1.016	1.626	58.75	5
-28	28	-28	1.7500	44.450	2.8120	71.437	1.317	33.45	1.531	38.89	1.997	50.71	0.0400	1.016	1.626	68.27	5.5
-32	32	-32	2.0000	50.800	3.1875	80.962	1.560	38.23	1.750	44.45	2.530	61.98	0.0400	1.016	1.626	77.83	5

⁽¹⁾Chamfered Type only. ⁽²⁾Grooved Type only. See page 17 for groove dimensions.

LOAD RATINGS

03-861 Chamfered 03-863 Grooved Dash No.	Permissible Static Load				Ultimate Static Load				Dynamic Load Radial		Starting Torque			
	Radial b Cs		Axial ac Ca		Radial		Axial		lbs.	KN	Normal Code N		Reduced Code R	
	lbs.	KN	lbs.	KN	lbs.	KN	lbs.	KN			lbs.-in.	NM	lbs.-in.	NM
3	3754.3	16.7	539.5	2.4	5620.3	25.0	809.3	3.6	2315.5	10.3	0.53 - 3.01	0.06 - 0.34	0 - 0.97	0 - 0.11
4	6879.2	30.6	764.4	3.4	10318.8	45.9	1146.5	5.1	3372.2	15.0	0.97 - 4.96	0.11 - 0.56	0 - 0.97	0 - 0.11
5 ⁽¹⁾	8880.0	39.5	989.2	4.4	13308.8	59.2	1506.2	6.7	4338.8	19.3	0.97 - 4.96	0.11 - 0.56	0 - 0.97	0 - 0.11
6	11128.1	49.5	1281.4	5.7	16680.9	74.2	1910.9	8.5	5440.4	24.2	0.97 - 4.96	0.11 - 0.56	0 - 0.97	0 - 0.11
7	13601.0	60.5	1573.7	7.0	20412.7	90.8	2360.5	10.5	6654.4	29.6	0.97 - 4.96	0.11 - 0.56	0.27 - 1.33	0.03 - 0.15
8	17872.4	79.5	2113.2	9.4	26819.8	119.3	3147.3	14.0	8745.1	38.9	0.97 - 4.96	0.11 - 0.56	0.27 - 1.33	0.03 - 0.15
9	20367.8	90.6	3259.7	14.5	30551.7	135.9	4900.9	21.8	9959.1	44.3	0.97 - 4.96	0.11 - 0.56	0.27 - 1.33	0.03 - 0.15
10	26505.1	117.9	4518.7	20.1	39768.9	176.9	6766.8	30.1	12971.5	57.7	0.97 - 4.96	0.11 - 0.56	0.27 - 1.33	0.03 - 0.15
12	38982.1	173.4	6497.0	28.9	58473.1	260.1	9734.3	43.3	19063.9	84.8	0.97 - 4.96	0.11 - 0.56	0.27 - 1.33	0.03 - 0.15
14	52583.1	233.9	9644.3	42.9	78908.3	351.0	14455.3	64.3	25718.3	114.4	2.04 - 7.97	0.23 - 0.90	0.35 - 2.21	0.04 - 0.25
16	69219.0	307.9	12814.2	57.0	103839.7	461.9	19221.3	85.5	33833.9	150.5	2.04 - 7.97	0.23 - 0.90	0.35 - 2.21	0.04 - 0.25
20	100287.7	446.1	18614.3	82.8	150442.9	669.2	27921.4	124.2	49031.1	218.1	2.04 - 13.28	0.23 - 1.50	0.44 - 2.83	0.05 - 0.32
24	152758.4	679.5	27741.6	123.4	229148.8	1019.3	41589.9	185.0	74681.9	332.2	2.04 - 13.28	0.23 - 1.50	0.44 - 2.83	0.05 - 0.32
28	201519.7	896.4	38599.9	171.7	302279.5	1344.6	57888.6	257.5	98511.7	438.2	2.04 - 13.28	0.23 - 1.50	0.44 - 2.83	0.05 - 0.32
32	277393.1	1233.9	51346.1	228.4	416078.3	1850.8	77019.9	342.6	135605.4	603.2	2.04 - 13.28	0.23 - 1.50	0.44 - 2.83	0.05 - 0.32

⁽¹⁾Chamfered Type only.

⁽²⁾Grooved Type only.

⁽³⁾Load ratings based on AS81820. -3 and -4 sizes are limited by pin bending.