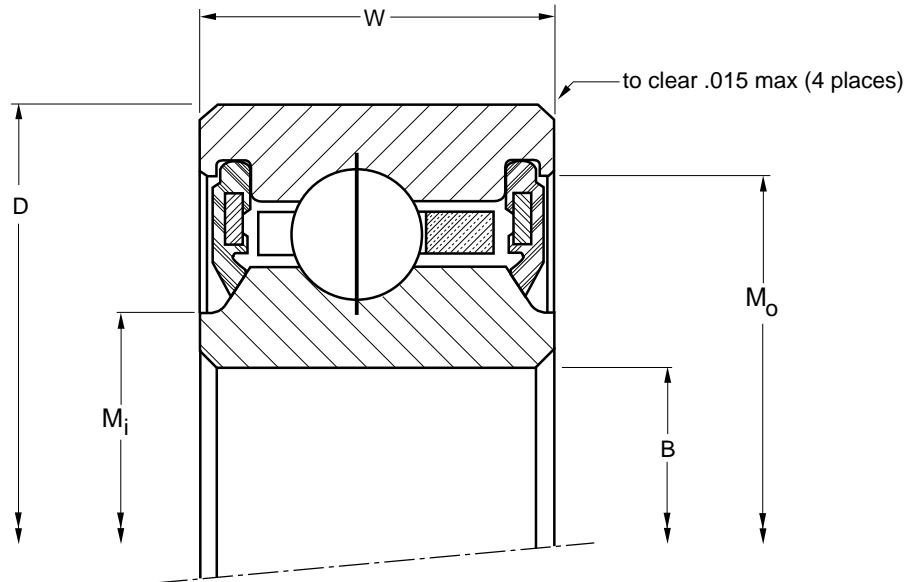


SEALED RADIAL CONTACT, C-TYPE



PART NUMBER*	NOMINAL DIMENSIONS											
	B Bore		D Outside Diameter		W Width		Mi		Mo		Ball Diameter	Ball Quantity
	in.	mm	in.	mm	in.	mm	in.	mm	in.	mm		
JU040CP0*RBC	4.0000	101.600	4.7500	120.650	0.5000	12.700	4.155	105.54	4.550	115.57	3/16	35
JU042CP0*RBC	4.2500	107.950	5.0000	127.000	0.5000	12.700	4.405	111.89	4.800	121.92	3/16	37
JU045CP0*RBC	4.5000	114.300	5.2500	133.350	0.5000	12.700	4.655	118.24	5.050	128.27	3/16	39
JU047CP0*RBC	4.7500	120.650	5.5000	139.700	0.5000	12.700	4.905	124.59	5.300	134.62	3/16	41
JU050CP0*RBC	5.0000	127.000	5.7500	146.050	0.5000	12.700	5.155	130.94	5.550	140.97	3/16	43
JU055CP0*RBC	5.5000	139.700	6.2500	158.750	0.5000	12.700	5.655	143.64	6.050	153.67	3/16	47
JU060CP0*RBC	6.0000	152.400	6.7500	171.450	0.5000	12.700	6.155	156.34	6.550	166.37	3/16	51
JU065CP0*RBC	6.5000	165.100	7.2500	184.150	0.5000	12.700	6.655	169.04	7.050	179.07	3/16	55
JU070CP0*RBC	7.0000	177.800	7.7500	196.850	0.5000	12.700	7.155	181.74	7.550	191.77	3/16	59
JU075CP0*RBC	7.5000	190.500	8.2500	209.550	0.5000	12.700	7.655	194.44	8.050	204.47	3/16	63
JU080CP0*RBC	8.0000	203.200	8.7500	222.250	0.5000	12.700	8.155	207.14	8.550	217.17	3/16	67
JU090CP0*RBC	9.0000	228.600	9.7500	247.650	0.5000	12.700	9.155	232.54	9.550	242.57	3/16	75
JU100CP0*RBC	10.0000	254.000	10.7500	273.050	0.5000	12.700	10.155	257.94	10.550	267.97	3/16	83
JU110CP0*RBC	11.0000	279.400	11.7500	298.450	0.5000	12.700	11.155	283.34	11.550	293.37	3/16	91
JU120CP0*RBC	12.0000	304.800	12.7500	323.850	0.5000	12.700	12.155	308.74	12.550	318.77	3/16	99

*The alphanumeric identification system is used under license.
JU Series are also available in low-torque design using PTFE seals.

THIN SECTION BALL BEARINGS



	Approx. Weight		LOAD RATINGS										Limiting Speed (RPM)		
			Radial				Thrust				Moment				
			Static		Dynamic		Static		Dynamic		Static	Dynamic			
lbs.	kg	lbf	N	lbf	N	lbf	N	lbf	N	lbf - in	Nm	lbf - in	Nm		
	0.55	0.249	2,100	9,340	1,290	5,740	3,110	13,830	3,740	16,640	2,720	310	3,280	370	3,660
	0.58	0.263	2,220	9,880	1,320	5,870	3,270	14,550	3,830	17,040	3,030	340	3,550	400	3,460
	0.61	0.277	2,340	10,410	1,350	6,010	3,440	15,300	3,910	17,390	3,360	380	3,810	430	3,280
	0.65	0.295	2,460	10,940	1,370	6,090	3,610	16,060	3,970	17,660	3,700	420	4,070	460	3,120
	0.68	0.308	2,590	11,520	1,390	6,180	3,780	16,810	4,040	17,970	4,060	460	4,340	490	2,980
	0.74	0.336	2,830	12,590	1,440	6,410	4,110	18,280	4,170	18,550	4,830	550	4,900	550	2,720
	0.81	0.367	3,070	13,660	1,490	6,630	4,450	19,790	4,320	19,220	5,670	640	5,510	620	2,510
	0.87	0.395	3,315	14,750	1,530	6,810	4,790	21,310	4,440	19,750	6,580	740	6,110	690	2,330
	0.93	0.422	3,550	15,790	1,570	6,980	5,120	22,770	4,550	20,240	7,550	850	6,710	760	2,170
	0.99	0.449	3,790	16,860	1,600	7,120	5,450	24,240	4,640	20,640	8,590	970	7,300	820	2,030
	1.06	0.481	4,030	17,930	1,650	7,340	5,790	25,760	4,770	21,220	9,700	1,100	7,990	900	1,910
	1.18	0.535	4,510	20,060	1,730	7,700	6,470	28,780	5,020	22,330	12,120	1,370	9,410	1,060	1,700
	1.31	0.594	4,990	22,200	1,781	7,920	7,140	31,760	5,170	23,000	14,810	1,670	10,730	1,210	1,540
	1.43	0.649	5,470	24,330	1,879	8,360	7,800	34,700	5,280	23,490	17,750	2,010	12,020	1,360	1,410
	1.56	0.708	5,950	26,470	1,974	8,780	8,480	37,720	5,470	24,330	20,980	2,370	13,550	1,530	1,300

Refer to the Engineering section for load and speed limitations.

THIN SECTION BALL BEARINGS