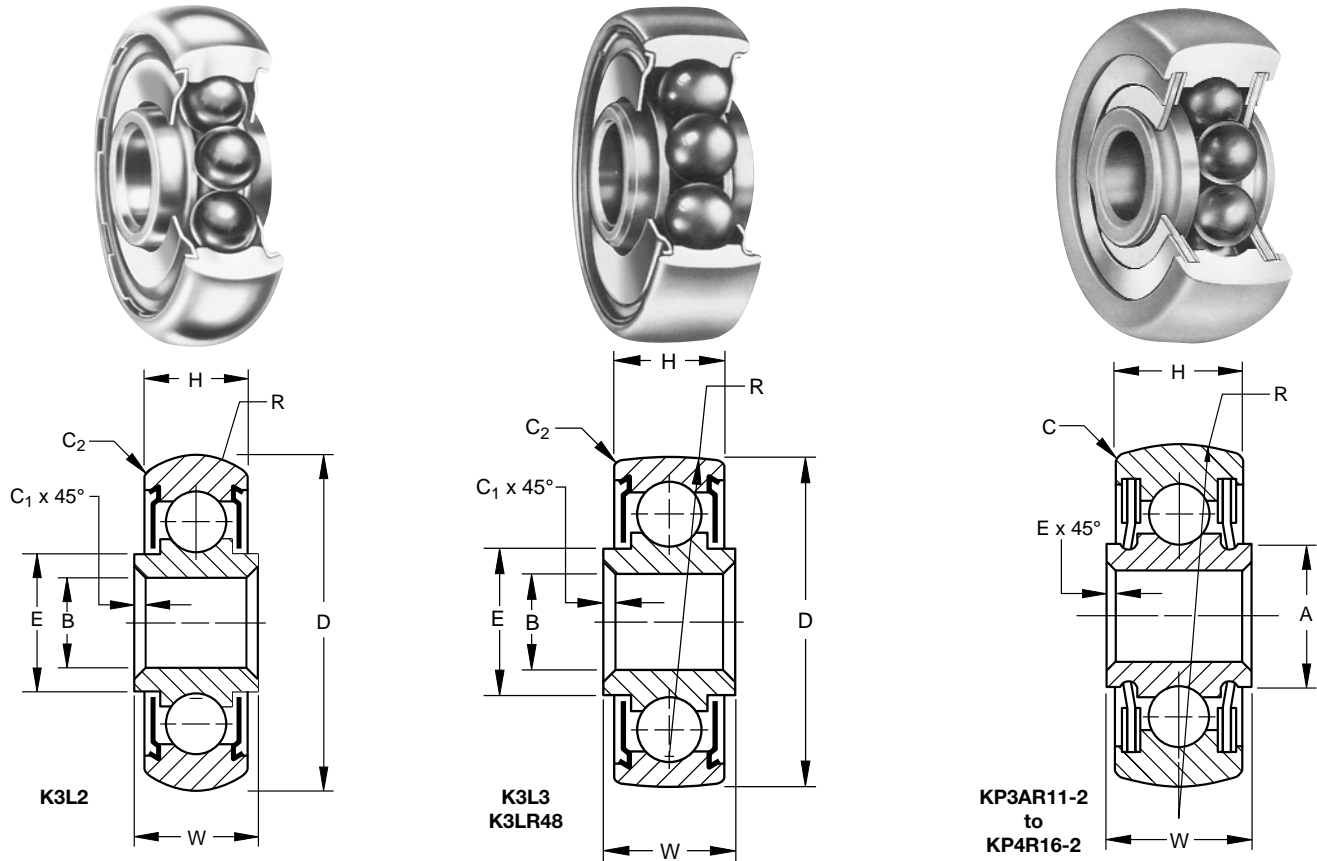


K Series

- Single row, ball
- Exposed surfaces except bore and shields are cadmium plated
- PTFE seals or CRES shields
- Also offered with CRES 440C material and/or zinc nickel plating per OEM specifications



AIRFRAME CONTROL BALL BEARINGS

SPECIFICATIONS AND ORDERING INFORMATION

TO ORDER, SPECIFY BEARING NUMBER AND FACTORY SPECIFICATION. SEE TABLE 1 ON PG 8. (Example K3L2 FS464)

Bearing Number	Bore B		Outside Diameter D		Widths				E	C ₁		C ₂		R		Max. Safe Working Load Radial ⁽¹⁾	Wt.			
	+0.0000, -0.0005 +0.00, -0.013				+0.000, -0.005 +0.000, -0.13		+0.000, -0.005 +0.000, -0.13			+0.015, -0.000 +0.38, -0.00		(Ref.)					Approx.			
	in.	mm	in.	mm	in.	mm	in.	mm		in.	mm	in.	mm	in.	mm		lbf.	N	lbs.	kg
*K3L2 ⁽²⁾	0.1900	4.826	0.687	17.45	0.245	6.22	0.203	5.16	0.275	6.98	0.005	0.13	0.020R	0.51	0.187	4.75	200	880	0.01	0.005
			0.685	17.40											0.182	4.62				
*K3L3 ⁽²⁾	0.1900	4.826	0.635	16.13	0.245	6.22	0.203	5.16	0.275	6.98	0.005	0.13	0.020R	0.51	0.550	13.97	200	880	0.01	0.005
			0.632	16.05											0.500	12.70				
K3LR48	0.1900	4.826	0.687	17.45	0.245	6.22	0.203	5.16	0.275	6.98	0.005	0.13	0.020R	0.51	3.015	76.58	200	880	0.02	0.009
			0.685	17.40											2.985	75.82				
KP3AR11-2	0.1900	4.826	0.718	18.24	0.297	7.54	0.265	6.73	0.297	7.54	0.005	0.13	0.015R	0.38	0.359	9.12	300	1330	0.02	0.009
			0.716	18.19											0.358	9.09				
KP4AR13	0.2500	6.350	0.800	20.32	0.281	7.14	0.219	7.39	0.375	9.53	0.005	0.13	0.015 x 45°	0.38	0.812	20.62	400	1780	0.02	0.009
			0.798	20.27											0.802	20.37				
KP4R16	0.2500	6.350	0.901	22.89	0.484	12.29	0.335	8.51	0.390	9.91	0.005	0.13	0.015 x 45°	0.38	1.000	25.40	400	1780	0.04	0.018
			0.899	22.83											0.990	25.15				
KP4R16-2	0.2500	6.350	1.000	25.40	0.390	9.91	0.335	8.51	0.390	9.91	0.005	0.13	0.015 x 45°	0.38	1.000	25.40	500	2220	0.06	0.027
			0.998	25.35											0.990	25.15				

⁽¹⁾ The maximum working radial load to obtain 100,000 ft. (30,500m) peripheral travel life.

⁽²⁾ Prepacked with lubricant conforming to MIL-PRF-23827. Equipped with CRES shields.

*Check for availability.