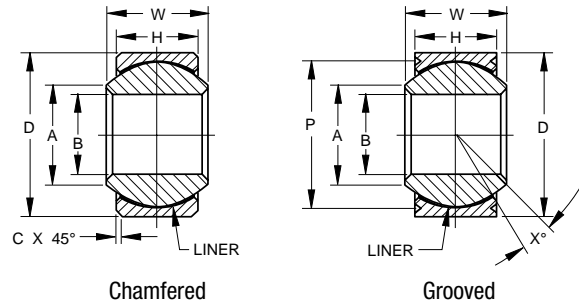


LIGHT WEIGHT ALUMINUM SELF-LUBRICATED SPHERICAL BEARING, WIDE

- Wide series, self-lubricated
- Material
 - Outer ring: Aluminum Alloy, Heat-treated
 - Inner ring: Aluminum Alloy, Heat-treated,
 - Sphere hard anodized
 - Liner: Fibriloid® qualified to AS81820



SPHERICAL BEARINGS

SPECIFICATIONS AND ORDERING INFORMATION

DIMENSIONS – TOLERANCES

Bearing Number	Bearing Number	B		D		H		W		A		C ⁽¹⁾		P ⁽²⁾ Groove Pitch Diameter		X° Ref.
		in.	mm	in.	mm	in.	mm	in.	mm	in.	mm	in.	mm	in.	mm	
Chamfered Part Numbers	Grooved Part Numbers	+.0000, -.0005 +.000, -.013		+.0000, -.0005 +.000, -.013		±.005 ±.13		+.000, -.002 +.00, -.05		Min.		+.010, -.000 +.25, -.00		+.000 in., -.008 in. +.00 mm, -.20mm		
03-714-03	03-716-03	.1900	4.826	.6250	15.875	.327	8.31	.437	11.10	.300	7.62	.010	.25	.563	14.30	15
03-714-04	03-716-04	.2500	6.350	.6250	15.875	.327	8.31	.437	11.10	.300	7.62	.010	.25	.563	14.30	15
03-714-05	03-716-05	.3125	7.938	.6875	17.462	.317	8.05	.437	11.10	.360	9.14	.010	.25	.625	15.88	14
03-714-06	03-716-06	.3750	9.525	.8125	20.638	.406	10.31	.500	12.70	.466	11.84	.020	.51	.712	18.08	8
03-714-07	03-716-07	.4375	11.112	.9062	23.017	.442	11.23	.562	14.27	.537	13.64	.020	.51	.806	20.47	10
03-714-08	03-716-08	.5000	12.700	1.0000	25.400	.505	12.83	.625	15.88	.607	15.42	.020	.51	.900	22.86	9
03-714-09	03-716-09	.5625	14.288	1.1250	28.575	.536	13.61	.687	17.45	.721	18.31	.020	.51	1.025	26.04	10
03-714-10	03-716-10	.6250	15.875	1.1875	30.162	.567	14.40	.750	19.05	.747	18.97	.020	.51	1.087	27.61	12
03-714-12	03-716-12	.7500	19.050	1.3750	34.925	.630	16.00	.875	22.22	.845	21.46	.030	.76	1.251	31.78	13
03-714-14	03-716-14	.8750	22.225	1.6250	41.275	.755	19.18	.875	22.22	.995	25.27	.030	.76	1.501	38.13	6
03-714-16	03-716-16	1.0000	25.400	2.1250	53.975	1.005	25.53	1.375	34.92	1.263	32.23	.030	.76	2.001	50.83	12

⁽¹⁾Chamfered Type only.

⁽²⁾Grooved Type only. See page 17 for groove dimensions.

LOAD RATINGS

Bearing Number	Bearing Number	Oscillating Radial Load Rating ⁽¹⁾		Radial Limit Load Rating ⁽¹⁾		No Load Rotational Breakaway Torque				Weight Approx.	
		lbs.	N	lbs.	N	Standard	"K" Type	Standard	"K" Type	lbs.	kg
03-714-03	03-716-03	3250	14500	5600	25000	.25-5	.03-.56	0-0.5	0-.06	0.010	0.005
03-714-04	03-716-04	3250	14500	5600	25000	.25-5	.03-.56	0-0.5	0-.06	0.010	0.005
03-714-05	03-716-05	3600	16000	6100	27200	.25-8	.03-.90	0-1.0	0-.11	0.010	0.005
03-714-06	03-716-06	5450	24250	10000	44500	.25-8	.03-.90	0-1.0	0-.11	0.020	0.009
03-714-07	03-716-07	7600	34000	12500	55600	.25-8	.03-.90	0-1.0	0-.11	0.030	0.014
03-714-08	03-716-08	10000	44500	16000	71200	.25-8	.03-.90	0-1.0	0-.11	0.030	0.014
03-714-09	03-716-09	12200	54300	19300	85900	.25-8	.03-.90	0-1.0	0-.11	0.050	0.023
03-714-10	03-716-10	13500	60000	23000	102300	.25-8	.03-.90	0-1.0	0-.11	0.060	0.027
03-714-12	03-716-12	18000	80000	30000	133500	.25-8	.03-.90	0-1.0	0-.11	0.080	0.036
03-714-14	03-716-14	23500	104500	40000	178000	.25-12	.03-1.4	0-2.0	0-.23	0.120	0.054
03-714-16	03-716-16	42500	189000	72000	320300	.25-12	.03-1.4	0-2.0	0-.23	0.330	0.149

⁽¹⁾Load ratings based on AS81820 with reduction for aluminum materials.