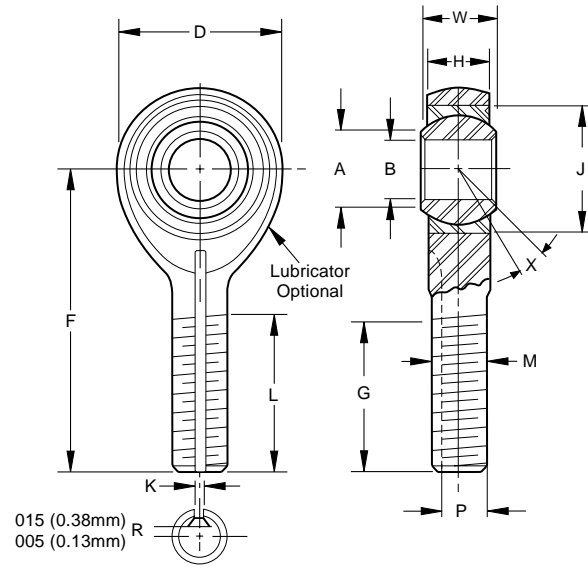


## CRES METAL-TO-METAL ROD END BEARINGS

- Male type, rod end
- High temperature — low wear  
-65°F to +325°F (-53.9°C to +162.8°C)
- Material: Bearing inner ring: CRES 440C, HRC 55-62  
Bearing outer ring: CRES 17-4PH, HRC 28-37  
Rod end housing: CRES 17-4PH, HRC 39-42, passivated
- Rolled threads conform to UNJF-3A per AS8879  
For rod ends with left hand thread add “L” or “1”  
depending on part number ordered. Example: see below
- For rod ends with slotted shank or “keyway” add “K” or “1”  
Example: see below



## SPECIFICATIONS AND ORDERING INFORMATION

### DIMENSIONS — TOLERANCES

PART NUMBERS MSSxx Dash No.	B		D		L		F		W		H		A		J		G		K <sup>(1)</sup>		P <sup>(1)</sup>		M UNJF-3A PER AS8879	X°
	+0.000, -0.005 +0.00, -0.13		±0.10 +0.25		±.031 ±.79		±0.10 +0.25		+0.000, -0.002 +0.00, -0.05		±0.005 +0.13		Min.		Max.		+0.000, -0.020 +0.00, -0.51		+0.005, -0.000 +0.13, -0.00		+0.000, -0.005 +0.00, -0.13			Min.
	in.	mm	in.	mm	in.	mm	in.	mm	in.	mm	in.	mm	in.	mm	in.	mm	in.	mm	in.	mm	in.	mm		
03	.1900	4.826	.806	20.47	.968	24.59	1.562	39.67	.437	11.10	.337	8.56	.30	7.6	.6250	15.875	.980	24.89	.062	1.57	.268	6.81	5/16-24	15
04	.2500	6.350	.806	20.47	.968	24.59	1.562	39.67	.437	11.10	.337	8.56	.30	7.6	.6250	15.875	.980	24.89	.062	1.57	.268	6.81	5/16-24	15
05	.3125	7.938	.900	22.86	1.187	30.15	1.875	47.62	.437	11.10	.327	8.31	.36	9.1	.6875	17.462	1.270	32.26	.062	1.57	.268	6.81	5/16-24	14
06	.3750	9.525	1.025	26.04	1.187	30.15	1.938	49.23	.500	12.70	.416	10.57	.47	11.9	.8125	20.638	1.235	31.37	.093	2.36	.319	8.10	3/8-24	8
07	.4375	11.112	1.150	29.21	1.281	32.54	2.125	53.98	.562	14.27	.452	11.48	.54	13.7	.9062	23.017	1.402	35.61	.093	2.36	.383	9.73	7/16-20	10
08	.5000	12.700	1.337	33.96	1.468	37.29	2.438	61.93	.625	15.88	.515	13.08	.61	15.5	1.0000	25.400	1.589	40.36	.093	2.36	.445	11.30	1/2-20	9
10	.6250	15.875	1.525	38.74	1.562	39.67	2.625	66.68	.750	19.05	.577	14.66	.75	19.1	1.1875	30.162	1.683	42.75	.125	3.18	.541	13.74	5/8-18	12
12	.7500	19.050	1.775	45.08	1.687	42.85	2.875	73.02	.875	22.22	.640	16.26	.85	21.6	1.3750	34.925	1.808	45.92	.125	3.18	.663	16.84	3/4-16	13
14	.8750	22.225	2.025	51.44	2.000	50.80	3.375	85.72	.875	22.22	.765	19.43	1.061	26.95	1.6250	41.275	2.121	53.87	.156	3.96	.777	19.74	7/8-14	6
16	1.0000	25.400	2.775	70.48	2.343	59.51	4.125	104.78	1.375	34.92	1.015	25.78	1.27	32.3	2.1250	53.975	2.464	62.59	.187	4.75	1.136	28.85	1 1/4-12	12

<sup>(1)</sup>Keyway when specified, is compatible with locking devices, AS81935/3 for sizes 3 thru 8, and NAS559 for sizes 10 thru 16.  
Keyway tolerances not specified shall be in accordance with AS81935/3 or NAS513 as applicable.

### LOAD RATINGS

PART NUMBER MSSxx Dash No.	Static Radial Limit Load <sup>(1)</sup>		Axial Proof Load		Approx. Weight		Maximum Radial Clearance	
	lbf.	N	lbf.	N	lbs.	kg	in.	mm
03	4675 <sup>(2)</sup>	20800	1000	4400	0.072	0.033	0.002	0.05
04	6060	27000	1000	4400	0.072	0.033	0.002	0.05
05	7300	32500	1100	4900	0.087	0.039	0.002	0.05
06	8860	39400	1660	7400	0.136	0.062	0.002	0.05
07	9560	42500	1850	8200	0.183	0.083	0.002	0.05
08	18560	82600	2040	9100	0.278	0.126	0.002	0.05
10	20600	91600	2430	10800	0.424	0.192	0.002	0.05
12	27640	122900	2810	12500	0.639	0.290	0.002	0.05
14	32150	143000	3320	14800	0.963	0.437	0.002	0.05
16	72270	321500	4340	19300	2.546	1.155	0.002	0.05

<sup>(1)</sup>Load ratings apply to bearings without lubricators

<sup>(2)</sup>Based on pin limitation

Notes: Available with lubricators, solid film and lubrication holes and grooves in ball.

Bearing configuration	Part number designations for a 0.2500 in. bore rod end
Base P/N (no options)	MSS04
Keyway on threads	MSSK04
Left hand thread	MSSL04

