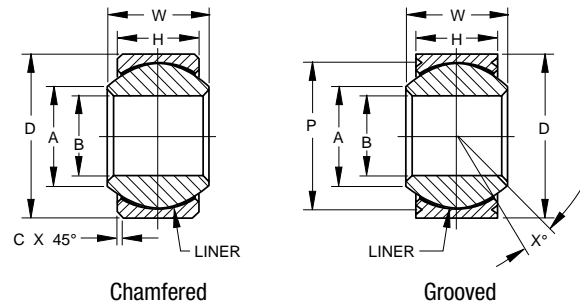


MS21233 & MS21232 SELF-LUBRICATED SPHERICAL BEARING, NARROW

- AS8942 (formerly MIL-B-8942)
- Narrow series, self-lubricated
- Operating temperature range
-65°F to +250°F (-53.9°C to +121.1°C)
- Low wear
- Material
Outer ring: CRES 17-4PH, AMS 5643, HRC 28 min.
Inner ring: CRES 440C, AMS 5630, HRC 55 min.
Liner: Fabroid® or “E” Uniflon® qualified to AS8942



SPECIFICATIONS AND ORDERING INFORMATION

DIMENSIONS – TOLERANCES

03-703 Chamfered 03-705 Grooved Dash No.	NExB NEGxB Dash No.	MS21233 Chamfered MS21232 Grooved Dash No.	B		D		H		W		A		C ⁽¹⁾		p ⁽²⁾ Groove Pitch Diameter		X° Ref.
			+0.000, -0.0005 +0.00, -0.013	+0.000, -0.0005 +0.00, -0.013	±.005 ±.13	+0.00, -0.002 +0.00, -0.05	Min.	+0.030, -0.000 +0.76, -0.00	+0.000 in., -0.010 in. +0.00 mm, -0.25mm								
Chamfered/Grooved Part Numbers			in.	mm	in.	mm	in.	mm	in.	mm	in.	mm	in.	mm	in.	mm	
-03	3	-3	.1900	4.826	.5625	14.288	.218	5.54	.281	7.14	.293	7.44	.010	.025	.500	12.70	10
-04	4	-4	.2500	6.350	.6562	16.667	.250	6.35	.343	8.71	.364	9.25	.010	.025	.594	15.09	10
-05	5	-5	.3125	7.938	.7500	19.050	.281	7.14	.375	9.52	.419	10.64	.010	.025	.652	16.56	10
-06	6	-6	.3750	9.525	.8125	20.638	.312	7.92	.406	10.31	.475	12.06	.010	.025	.714	18.14	9
-07	7	-7	.4375	11.112	.9062	23.017	.343	8.71	.437	11.10	.530	13.46	.010	.025	.808	20.52	8
-08	8	-8	.5000	12.700	1.0000	25.400	.390	9.91	.500	12.70	.600	15.24	.010	.025	.878	22.30	8
-09	9	-9	.5625	14.288	1.0937	27.780	.437	11.10	.562	14.27	.670	17.02	.010	.025	.972	24.69	8
-10	10	-10	.6250	15.875	1.1875	30.162	.500	12.70	.625	15.88	.739	18.77	.010	.025	1.065	27.05	8
-12	12	-12	.7500	19.050	1.4375	36.512	.593	15.06	.750	19.05	.920	23.37	.010	.025	1.315	33.40	8
-14	14	-14	.8750	22.225	1.5625	39.688	.703	17.86	.875	22.22	.980	24.89	.010	.025	1.440	36.58	8
-16	16	-16	1.000	25.400	1.7500	44.450	.797	20.24	1.000	25.40	1.118	28.40	.010	.025	1.628	41.35	9

⁽¹⁾Chamfered Type only. ⁽²⁾Grooved Type only. See page 17 for groove dimensions.

LOAD RATINGS

03-703 BS Chamfered Type 03-705 SBS Grooved Type	NExB NEGxB Dash No.	Oscillating Radial Load Rating ⁽¹⁾		Radial Limit Load Rating ⁽¹⁾		Axial Limit Load Rating ⁽¹⁾		No Load Rotational Breakaway Torque		Weight Max.	
		lbf.	N	lbf.	N	lbf.	N	in.-lbs.	N-m	lbs.	kg
-03	3	1500	6700	3975	17600	150	670	.5-5	.06-.56	.02	.010
-04	4	2320	10400	6040	27000	430	1900	1-5	.11-.56	.02	.010
-05	5	3430	15300	8750	39000	700	3100	1-5	.11-.56	.03	.015
-06	6	4200	18600	10540	46500	1100	4900	1-5	.11-.56	.04	.017
-07	7	5700	25500	13200	58500	1400	6200	1-5	.11-.56	.05	.023
-08	8	7900	35500	17900	80000	2100	9300	1-5	.11-.56	.07	.032
-09	9	10300	45500	23200	104000	3680	16300	1-5	.11-.56	.09	.041
-10	10	13400	60000	30500	137000	4720	20800	1-5	.11-.56	.12	.056
-12	12	19700	88000	46400	208000	6750	30000	1-5	.11-.56	.21	.095
-14	14	26100	116000	62200	275000	9350	41500	2-8	.23-.90	.27	.122
-16	16	34100	153000	82200	365000	12160	54000	2-8	.23-.90	.39	.175

⁽¹⁾Load ratings based on AS8942.