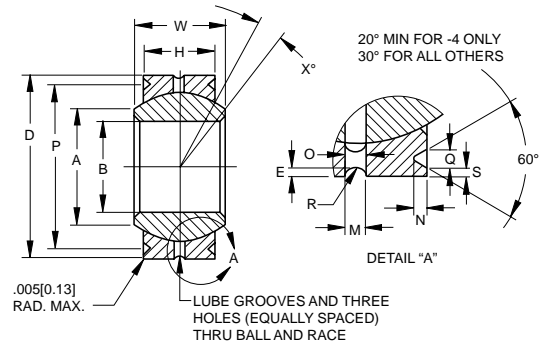


## M81936/1( )R METAL-TO-METAL SPHERICAL BEARING

- AS81936/1 • AS81936 (FORMERLY MIL-B-81936)
- Grooved, lubricated through race
- Material  
 Inner ring: Beryllium copper per ASTM B194, B196  
 HRC 37 min.  
 Outer ring: CRES 17-4PH, AMS 5643, HRC 28 min.
- Prepacked with MIL-PRF-81322 grease



SPHERICAL BEARINGS

## SPECIFICATIONS AND ORDERING INFORMATION

### DIMENSIONS – TOLERANCES

Bearing Number	M Dash No.	d Bore Diameter	D Outside Diameter	Widths		A	N	Q	S	P	E	R	O	X°	Radial Static Limit Load Rating	Axial Static Limit Load Rating	Weight Max.	
				W	H													
		+0.000 in. -0.0005 in. +0.000 mm -0.013 mm	+0.000 in. -0.0005 in. +0.000 mm -0.013 mm	+0.000 in. -0.005 in. +0.00mm -0.13mm	+0.000 in. -0.005 in. +0.00mm -0.13mm	Min.	+0.000 in. -0.015 in. +0.00mm -0.38mm	+0.000 in. -0.010 in. +0.00mm -0.25mm	+0.000 in. -0.010 in. +0.00mm -0.25mm	Pitch Dia.	inch mm	inch mm	inch mm	inch mm	Ref.	lbs. N	lbs. N	lbs. N
03-592-04	-4R	0.25 6.35	0.6562 16.667	0.343 8.71	0.25 6.35	0.357 9.07	0.03 0.76	0.045 1.14	0.02 0.51	.042/.078 1.07/1.98	.010/.015 0.25/0.38	.030/.062 0.76/1.57	.032/.062 0.81/1.57	12	6330 28000	1930 8500	0.03 0.014	
03-592-05	-5R	0.3125 7.938	0.75 19.05	0.375 9.52	0.281 7.14	0.413 10.49	0.04 1.02	0.055 1.4	0.03 0.76	.042/.078 1.07/1.98	.010/.015 0.25/0.38	.030/.062 0.76/1.57	.042/.062 1.07/1.57	11	8460 37500	2450 11000	0.04 0.018	
03-592-06	-6R	0.375 9.525	0.8125 20.638	0.406 10.31	0.312 7.92	0.509 12.93	0.04 1.02	0.055 1.4	0.03 0.76	.042/.078 1.07/1.98	.010/.015 0.25/0.38	.030/.062 0.76/1.57	.042/.062 1.07/1.57	9	11400 51000	3090 13500	0.06 0.023	
03-592-07	-7R	0.4375 11.112	0.9062 23.017	0.437 11.1	0.343 8.71	0.563 14.3	0.04 1.02	0.055 1.4	0.03 0.76	.065/.094 1.65/2.39	.010/.015 0.25/0.38	.060/.094 1.52/2.39	.052/.062 1.32/1.57	8	14800 65500	3740 16500	0.06 0.027	
03-592-08	-8R	0.5 12.7	1 25.4	0.5 12.7	0.39 9.91	0.634 16.1	0.06 1.52	0.08 2.03	0.03 0.76	.065/.094 1.65/2.39	.010/.015 0.25/0.38	.060/.094 1.52/2.39	.052/.062 1.32/1.57	8	20400 90000	4860 21500	0.08 0.036	
03-592-09	-9R	0.5625 14.288	1.0937 27.78	0.562 14.27	0.437 11.1	0.664 16.87	0.06 1.52	0.08 2.03	0.03 0.76	.065/.094 1.65/2.39	.010/.015 0.25/0.38	.060/.094 1.52/2.39	.052/.062 1.32/1.57	8	26700 118000	6100 27000	0.11 0.05	
03-592-10	-10R	0.625 15.875	1.1875 30.162	0.625 15.88	0.5 12.7	0.732 18.59	0.06 1.52	0.08 2.03	0.03 0.76	.073/1.09 1.85/2.77	.010/.015 0.25/0.38	.070/1.25 1.78/3.18	.062/0.78 1.57/1.98	8	33100 146000	8080 36000	0.14 0.064	
03-592-12	-12R	0.75 19.05	1.4375 36.512	0.75 19.05	0.593 15.06	0.913 23.19	0.06 1.52	0.08 2.03	0.03 0.76	.073/1.09 1.85/2.77	.010/.015 0.25/0.38	.070/1.25 1.78/3.18	.062/0.78 1.57/1.98	8	50000 224000	11440 51000	0.24 0.109	
03-592-13	-13R	0.8125 20.638	1.5625 39.688	0.812 20.62	0.65 16.51	0.984 24.99	0.06 1.52	0.08 2.03	0.03 0.76	.073/1.09 1.85/2.77	.010/.015 0.25/0.38	.070/1.25 1.78/3.18	.062/0.78 1.57/1.98	8	59000 260000	13800 61000	0.31 0.141	
03-592-14	-14R	0.875 22.225	1.6562 42.067	0.875 22.22	0.703 17.86	1.054 26.77	0.06 1.52	0.08 2.03	0.03 0.76	.073/1.09 1.85/2.77	.010/.015 0.25/0.38	.070/1.25 1.78/3.18	.062/0.78 1.57/1.98	8	70300 315000	16160 72000	0.37 0.168	
03-592-16	-16R	1 25.4	1.875 47.625	1 25.4	0.797 20.24	1.193 30.3	0.06 1.52	0.08 2.03	0.03 0.76	.082/1.09 2.08/2.77	.010/.015 0.25/0.38	.090/1.25 2.29/3.18	.078/0.93 1.98/2.36	8	77700 345000	20850 92500	0.53 0.24	
03-592-18	-18R	1.125 28.575	2.125 53.975	1.125 28.58	0.9 22.86	1.334 33.88	0.06 1.52	0.08 2.03	0.03 0.76	.082/1.09 2.08/2.77	.010/.015 0.25/0.38	.090/1.25 2.29/3.18	.078/0.93 1.98/2.36	8	121500 540000	26740 119000	0.77 0.349	
03-592-20	-20R	1.25 31.75	2.3125 58.738	1.25 31.75	1 25.4	1.473 37.41	0.06 1.52	0.08 2.03	0.03 0.76	.082/1.09 2.08/2.77	.010/.015 0.25/0.38	.090/1.25 2.29/3.18	.078/0.93 1.98/2.36	8	152000 680000	33065 147000	1 0.454	
03-592-22	-22R	1.375 34.925	2.5625 65.088	1.375 34.92	1.1 27.94	1.654 42.01	0.06 1.52	0.08 2.03	0.03 0.76	.082/1.09 2.08/2.77	.010/.015 0.25/0.38	.090/1.25 2.29/3.18	.078/0.93 1.98/2.36	8	186000 830000	40120 178000	1.17 0.531	
03-592-24	-24R	1.5 38.1	2.8125 71.438	1.5 38.1	1.2 30.48	1.794 45.57	0.06 1.52	0.08 2.03	0.03 0.76	.082/1.09 2.08/2.77	.010/.015 0.25/0.38	.090/1.25 2.29/3.18	.078/0.93 1.98/2.36	8	224000 1000000	47820 212000	1.79 0.812	