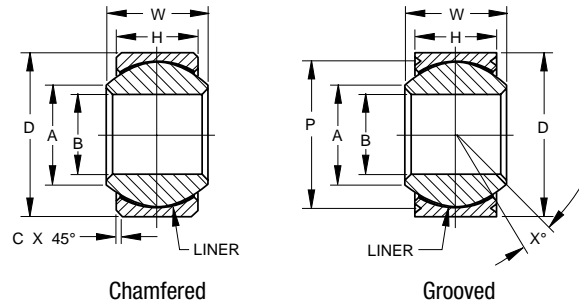


EN4614 SELF-LUBRICATED SPHERICAL BEARING, WIDE

- Wide series, self-lubricated
- High temperature — low wear
-67°F to +325°F (-55°C to +163°C)
Liner capable to 450°F (232°C)
- Material
Outer ring: CRES 17-4PH, AMS 5643
Inner ring: CRES 440C, AMS 5630
Liner: Composite liner qualified to AS81820, EN2755 pending



SPECIFICATIONS AND ORDERING INFORMATION

DIMENSIONS — TOLERANCES

03-862 Chamfered 03-864 Grooved Dash No.	NE NEG Dash No.	EN4614S Chamfered EN4614R Grooved Dash No.	B		D		H		W		A		C ⁽¹⁾		P ⁽²⁾ Groove Pitch Diameter		X° Min.
			+0.00, -0.005 +0.00, -0.13	+0.00, -0.005 +0.00, -0.130	±.005 ±.13	+0.00, -0.002 +0.00, -0.050	Ref.	+0.01, -0.00 +0.25, -0.00	+0.00 in., -0.010 in. +0.0 mm, -0.25mm								
Chamfered/Grooved Part Numbers			in.	mm	in.	mm	in.	mm	in.	mm	in.	mm	in.	mm	in.	mm	
-03	3	-3	.1900	4.826	.6250	15.875	.327	8.31	.437	11.10	.300	7.62	0.0200	0.508	.563	14.30	15
-04	4	-4	.2500	6.350	.6250	15.875	.327	8.31	.437	11.10	.300	7.62	0.0200	0.508	.563	14.30	15
-05	5	-5	.3125	7.938	.6875	17.452	.317	8.05	.437	11.10	.360	9.14	0.0200	0.508	.625	15.87	14
-06	6	-6	.3750	9.525	.8125	20.638	.405	10.31	.500	12.70	.466	11.84	0.0300	0.762	.712	18.08	8
-07	7	-7	.4375	11.112	.9375	23.812	.442	11.23	.582	14.28	.537	13.64	0.0300	0.762	.837	21.26	10
-07A	7A	-7A	.4375	11.112	.9062	23.017	.442	11.23	.582	14.28	.537	13.64	-	-	.808	20.52	10
-08	8	-8	.5000	12.700	1.0000	25.400	.505	12.83	.625	15.88	.607	15.42	0.0300	0.762	.900	22.86	9
-09	9	-9	.5625	14.288	1.1250	28.575	.536	13.61	.687	17.45	.721	18.31	0.0300	0.762	1.025	26.03	10
-10	10	-10	.6250	15.875	1.1875	30.162	.567	14.40	.750	19.05	.747	18.97	0.0300	0.762	1.087	27.60	12
-12	12	-12	.7500	19.050	1.3750	34.925	.630	16.00	.875	22.22	.845	21.46	0.0400	1.016	1.251	31.78	13
-14	14	-14	.8750	22.225	1.6250	41.275	.755	19.18	.875	22.22	.995	25.27	0.0400	1.016	1.501	38.12	6
-16	16	-16	1.0000	25.400	2.1250	53.975	1.005	25.53	1.375	34.93	1.269	32.23	0.0400	1.016	2.001	50.82	12
-20	20	-20	1.2500	31.750	2.3750	60.325	1.130	28.70	1.500	38.10	1.483	37.15	0.0400	1.016	2.251	57.17	12
-24	24	-24	1.5000	38.100	2.6875	68.262	1.223	31.08	1.687	42.85	1.791	45.50	0.0400	1.016	2.562	65.08	13
-28	28	-28	1.7500	44.450	3.0000	76.200	1.317	33.45	1.812	46.02	1.965	49.90	0.0400	1.016	2.876	73.05	12
-32	32	-32	2.0000	50.800	3.2500	82.550	1.380	35.05	1.937	49.19	2.209	56.10	0.0400	1.016	3.124	79.35	12

⁽¹⁾Chamfered Type only. ⁽²⁾Grooved Type only. See page 17 for groove dimensions.

LOAD RATINGS

03-862 Chamfered 03-864 Grooved Dash No.	Permissible Static Load				Ultimate Static Load				Dynamic Load Radial		Starting Torque			
	Radial b Cs		Axial ac Ca		Radial		Axial		lbs.	KN	Normal Code N		Reduced Code R	
	lbs.	KN	lbs.	KN	lbs.	KN	lbs.	KN			lbs.-in.	NM	lbs.-in.	NM
3	2405	10.7	1416	6.3	3619	16.1	2113	9.4	2405	10.7	0.50 - 5.0	0.06 - 0.56	0 - 0.97	0 - 0.11
4	5508	24.5	1416	6.3	8250	36.7	2113	9.4	4878	21.7	0.97 - 4.96	0.11 - 0.56	0 - 0.97	0 - 0.11
5	10251	45.6	1326	5.9	15377	68.4	1978	8.8	5013	22.3	0.97 - 4.96	0.11 - 0.56	0 - 0.97	0 - 0.11
6	16209	72.1	2293	10.2	24324	108.2	3440	15.3	8003	35.6	0.97 - 4.96	0.11 - 0.56	0 - 0.97	0 - 0.11
7 & 7A	20435	90.9	2765	12.3	30664	136.4	4159	18.5	9982	44.4	0.97 - 4.96	0.11 - 0.56	0.27 - 1.33	0.03 - 0.15
8	26482	117.8	3705	16.5	39746	176.8	5553	24.7	12949	57.6	0.97 - 4.96	0.11 - 0.56	0.27 - 1.33	0.03 - 0.15
9	29607	131.7	5328	23.7	44400	197.5	7981	35.5	14478	64.4	0.97 - 4.96	0.11 - 0.56	0.27 - 1.33	0.03 - 0.15
10	33609	149.5	6070	27.0	50425	224.3	9105	40.5	16435	73.1	0.97 - 4.96	0.11 - 0.56	0.27 - 1.33	0.03 - 0.15
12	42894	190.8	7486	33.3	64318	286.1	11218	49.9	20975	93.3	0.97 - 4.96	0.11 - 0.56	0.27 - 1.33	0.03 - 0.15
14	57551	256.0	11352	50.5	86304	383.9	17018	75.7	28124	125.1	2.04 - 7.97	0.23 - 0.90	0.35 - 2.21	0.04 - 0.25
16	111797	497.3	21469	95.5	167685	745.9	32215	143.3	54651	243.1	2.04 - 7.97	0.23 - 0.90	0.35 - 2.21	0.04 - 0.25
20	142237	632.7	27741	123.4	213344	949.0	41590	185.0	69533	309.3	2.04 - 13.28	0.23 - 1.50	0.44 - 2.83	0.05 - 0.32
24	181983	809.5	32912	146.4	272963	1214.2	49368	219.6	88957	395.7	2.04 - 13.28	0.23 - 1.50	0.44 - 2.83	0.05 - 0.32
28	214041	952.1	38600	171.7	321072	1428.2	57888	257.5	104649	465.5	2.04 - 13.28	0.23 - 1.50	0.44 - 2.83	0.05 - 0.32
32	247357	1100.3	42669	189.8	371025	1650.4	64003	284.7	120925	537.9	2.04 - 13.28	0.23 - 1.50	0.44 - 2.83	0.05 - 0.32

⁽¹⁾Chamfered Type only.

⁽²⁾Grooved Type only.

⁽³⁾Load ratings based on AS81820. -3 and -4 sizes are limited by pin bending.