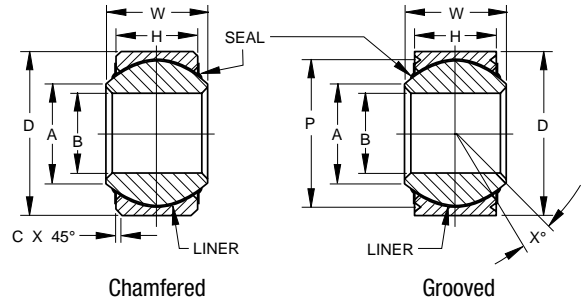


SEALED SELF-LUBRICATED SPHERICAL BEARING, WIDE

- Wide series, self-lubricated
- High temperature — low wear
-65°F to +325°F (-53.9°C to +162.8°C)
- Material
Outer ring: CRES 17-4PH, AMS 5643, HRC 28 min.
Inner ring: CRES 440C, AMS 5630, HRC 55 min.
Liner: “E” Uniflon® qualified to AS81820
Seal: Silicon rubber seal retained by stainless steel shield



SPHERICAL BEARINGS

SPECIFICATIONS AND ORDERING INFORMATION

DIMENSIONS – TOLERANCES

WESxxBIO WESxxBIOG Dash No.	B		D		H		W		A		C ⁽¹⁾		p ⁽²⁾ Groove Pitch Diameter		X° Ref.
	+0.000, -0.005 +0.00, -0.13		+0.000, -0.005 +0.00, -0.13		±0.005 ±.13		+0.00, -0.002 +0.00, -.05		Min.		+0.010, -0.000 +.25, -0.00		+0.00 in., -0.008 in. +0.00 mm, -0.20mm		
Chamfered/Grooved Part Numbers	in.	mm	in.	mm	in.	mm	in.	mm	in.	mm	in.	mm	in.	mm	
3	.1900	4.826	.6250	15.875	.327	8.31	.437	11.10	.300	7.62	.010	0.25	.563	14.30	15
4	.2500	6.350	.6250	15.875	.327	8.31	.437	11.10	.300	7.62	.010	0.25	.563	14.30	15
5	.3125	7.938	.6875	17.462	.317	8.05	.437	11.10	.360	9.14	.010	0.25	.625	15.88	14
6	.3750	9.525	.8125	20.638	.406	10.31	.500	12.70	.466	11.84	.020	0.51	.712	18.08	8
7A ⁽²⁾	.4375	11.112	.9062	23.017	.442	11.23	.562	14.27	.537	13.64	.020	0.51	.806	20.47	10
7	.4375	11.112	.9375	23.812	.442	11.23	.562	14.27	.537	13.64	.020	0.51	.837	21.26	10
8	.5000	12.700	1.0000	25.400	.505	12.83	.625	15.88	.607	15.42	.020	0.51	.900	22.86	9
9	.5625	14.288	1.1250	28.575	.536	13.61	.687	17.45	.721	18.31	.020	0.51	1.025	26.04	10
10	.6250	15.875	1.1875	30.162	.567	14.40	.750	19.05	.747	18.97	.020	0.51	1.087	27.61	12
12	.7500	19.050	1.3750	34.925	.630	16.00	.875	22.22	.845	21.46	.030	0.76	1.251	31.78	13
14	.8750	22.225	1.6250	41.275	.755	19.18	.875	22.22	.995	25.27	.030	0.76	1.501	38.13	6
16	1.0000	25.400	2.1250	53.975	1.005	25.53	1.375	34.92	1.269	32.23	.030	0.76	2.001	50.83	12

⁽¹⁾Chamfered Type only. ⁽²⁾Grooved Type only. See page 17 for groove dimensions.

LOAD RATINGS

WESxxBIO WESxxBIOG Dash No.	Oscillating Radial Load Rating ⁽³⁾		Radial Limit Load Rating ⁽³⁾		Axial Limit Load Rating ⁽³⁾		No Load Rotational Breakaway Torque				Weight Max. Ref.	
	lb.	N	lb.	N	lb.	N	Standard		“K” Type		lbs.	kg
Chamfered/Grooved Part Numbers							in.-lbs.	N-m	in.-lbs.	N-m		
3	4900	21600	2500	11100	1770	7800	.25-5	.03-.56	0.05	0-06	.031	.014
4	4900	21600	5500	24400	1770	7800	.25-5	.03-.56	0.05	0-06	.031	.014
5	6050	27000	9400	41800	1640	7350	.25-8	.03-.90	0.10	0-11	.035	.016
6	8310	36500	13700	60900	2630	11600	.25-8	.03-.90	0.10	0-11	.060	.027
7A ⁽²⁾	11750	52000	19700	87600	3650	16300	.25-8	.03-.90	0.10	0-11	.080	.036
7	11750	52000	20700	92000	3650	16300	.25-8	.03-.90	0.10	0-11	.080	.036
8	14950	65500	21400	95000	4970	22000	.25-8	.03-.90	0.10	0-11	.100	.045
9	18100	80000	26600	118000	5370	24000	.25-8	.03-.90	0.10	0-11	.135	.061
10	20250	90000	29000	128500	6130	27500	.25-8	.03-.90	0.10	0-11	.160	.072
12	26200	116000	37000	164500	7730	34500	.25-8	.03-.90	0.10	0-11	.240	.110
14	33600	150000	65200	290000	10800	48000	.25-12	.03-1.4	0.20	0-23	.350	.160
16	56250	250000	104000	462500	19300	86500	.25-12	.03-1.4	0.20	0-23	.970	.440

⁽¹⁾Chamfered Type only. ⁽²⁾Grooved Type only.
⁽³⁾Load ratings based on AS81820. -3 and -4 sizes are limited by pin bending.

Bearing configuration	Part number designations for a 0.2500 in. bore, grooved spherical bearing
Base P/N (no options)	WES04BIOG
Low breakaway torque	WES04BIOGK
Cadmium plating	WES04BIOGC
Zinc Nickel plating	WES04BIOGZ