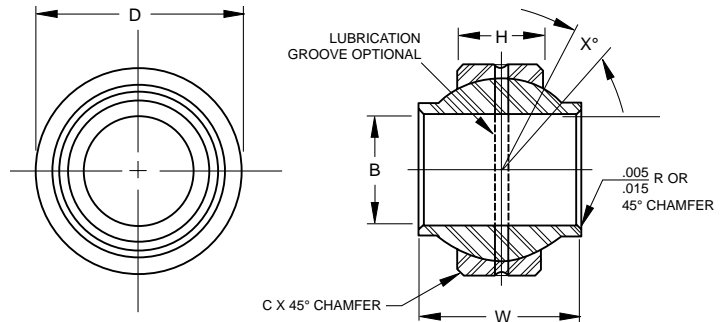


HIGH MISALIGNMENT METAL-TO-METAL SPHERICAL BEARING

- Material
 - Outer ring: CRES 17-4PH, AMS 5643
 - Inner ring: CRES 440C, Rc58 min. AMS 5630



SPECIFICATIONS AND ORDERING INFORMATION

DIMENSIONS – TOLERANCES

Chamfered 03-508 N	B		D		H		W		A		C ⁽¹⁾ Chamfer		p ⁽²⁾ Grooved		X°
	+0.000, -0.0005 +0.000, -.013		+0.000, -0.0005 +0.000, -.013		+0.005, -.005 +0.13, -.13		+.000, -.002 +.00, -.05		Ref.		+.010, -.000 +.25, -.00		+.005, -.005 +.13, -.13		Ref.
Grooved 03-528 NG	in.	mm	in.	mm	in.	mm	in.	mm	in.	mm	in.	mm	in.	mm	
03 03-16	0.1900	4.826	0.5625	14.288	0.210	5.33	0.500	12.70	0.319	8.10	0.010	0.25	0.493	12.52	15
04 04-19	0.2500	6.350	0.7400	18.796	0.255	6.48	0.593	15.06	0.390	9.91	0.010	0.25	0.670	17.02	24
05 05-20	0.3125	7.938	0.6875	17.463	0.255	6.48	0.625	15.88	0.418	10.62	0.010	0.25	0.618	15.70	20
06 06-26	0.3750	9.525	0.9060	23.012	0.345	8.76	0.813	20.65	0.512	13.00	0.020	0.51	0.836	21.23	23
07 07-28	0.4375	11.113	1.0000	25.400	0.345	8.76	0.875	22.23	0.618	15.70	0.020	0.51	0.930	23.62	22
08 08-30	0.5000	12.700	1.1250	28.575	0.401	10.19	0.937	23.80	0.730	18.54	0.020	0.51	1.055	26.80	20
10 10-38	0.6250	15.875	1.3750	34.925	0.567	14.40	1.200	30.48	0.856	21.74	0.020	0.51	1.275	32.39	20
12 12-41	0.7500	19.050	1.5625	39.688	0.620	15.75	1.280	32.51	0.970	24.64	0.030	0.76	1.438	36.53	18
14 14-45	0.8750	22.225	1.7500	44.450	0.625	15.88	1.400	35.56	1.140	28.96	0.030	0.76	1.625	41.28	18
16 16-60	1.0000	25.400	2.1250	53.975	0.835	21.21	1.875	47.62	1.278	32.46	0.030	0.76	2.000	50.80	21
18 18-60	1.1250	28.575	2.3125	58.738	0.942	23.93	1.875	47.63	1.400	35.56	0.030	0.76	2.188	55.58	20
20 20-60	1.2500	31.750	2.5000	63.500	1.005	25.53	1.875	47.63	1.523	38.68	0.030	0.76	2.375	60.33	21
22 22-68	1.3750	34.925	2.7500	69.850	1.097	27.86	2.125	53.98	1.670	42.42	0.030	0.76	2.625	66.68	22
24 24-72	1.5000	38.100	3.0000	76.200	1.175	29.85	2.250	57.15	1.800	45.72	0.030	0.76	2.875	73.03	21

⁽¹⁾Chamfered Type only. ⁽²⁾Grooved Type only. See page 17 for groove dimensions.

LOAD RATINGS

Chamfered 03-508 N	Grooved 03-528 NG	Radial Limit Load Rating ⁽¹⁾		No Load Rational Starting Torque		Weight Approx.	
		lb.	N	in.-lbs.	N-m	lbs.	kg
03 03-16	03 03-16	4100	18200	.25-5	.03-.56	0.02	0.008
04 04-19	04 04-19	7000	31100	.25-5	.03-.56	0.04	0.016
05 05-20	05 05-20	8800	39100	1-15	.03-.90	0.03	0.013
06 06-26	06 06-26	15700	69800	1-15	.03-.90	0.07	0.031
07 07-28	07 07-28	17700	78700	1-15	.03-.90	0.10	0.043
08 08-30	08 08-30	23400	104100	1-15	.03-.90	0.16	0.072
10 10-38	10 10-38	41400	184200	1-15	.03-.90	0.25	0.111
12 12-41	12 12-41	49900	222000	1-15	.03-.90	0.32	0.143
14 14-45	14 14-45	56000	249100	1-24	.03-1.4	0.43	0.195
16 16-60	16 16-60	91600	407500	1-24	.03-1.4	0.83	0.377
18 18-60	18 18-60	113600	505300	1-24	.03-1.4	1.10	0.497
20 20-60	20 20-60	132300	588500	1-24	.03-1.4	1.32	0.598
22 22-68	22 22-68	160400	713500	1-24	.03-1.4	1.80	0.816
24 24-72	24 24-72	183700	817100	1-24	.03-1.4	2.22	1.008

⁽¹⁾Load ratings based on AS81820 except limitations due to pin bending.