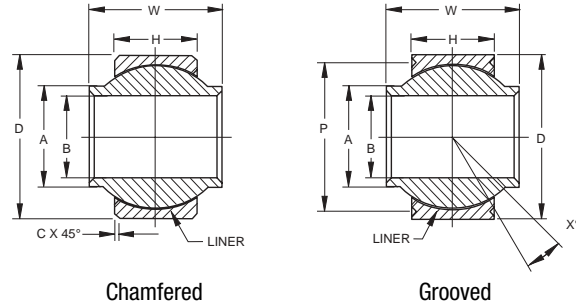


HIGH MISALIGNMENT SELF-LUBRICATED SPHERICAL BEARING

- Operating temperature range -65°F to +325°F (-53.9°C to +163°C)
- Low wear
- Material
 Outer ring: CRES 17-4PH, AMS 5643
 Inner ring: CRES 440C, Rc 58 min. AMS 5630
 Liner: Fibriloid® qualified to AS81820



SPHERICAL BEARINGS

SPECIFICATIONS AND ORDERING INFORMATION

DIMENSIONS – TOLERANCES

Chamfered 03-828 NE	B		D		H		W		A		C ⁽¹⁾ Chamfer		p ⁽²⁾ Grooved		X° Ref.
	+0.000, -0.0005 +0.000, -0.013		+0.000, -0.0005 +0.000, -0.013		+0.005, -0.005 +0.13, -.13		+.000, -.002 +.00, -.05		Ref.		+.010, -.000 +.25, -.00		+.005, -.005 +.13, -.13		
Grooved 03-829 NEG	in.	mm	in.	mm	in.	mm	in.	mm	in.	mm	in.	mm	in.	mm	
03 03-16	0.1900	4.826	0.5625	14.288	0.210	5.33	0.500	12.70	0.319	8.10	0.010	0.25	0.493	12.52	15
04 04-19	0.2500	6.350	0.7400	18.796	0.255	6.48	0.593	15.06	0.390	9.91	0.010	0.25	0.670	17.02	24
05 05-20	0.3125	7.938	0.6875	17.463	0.255	6.48	0.625	15.88	0.418	10.62	0.010	0.25	0.618	15.70	20
06 06-26	0.3750	9.525	0.9060	23.012	0.345	8.76	0.813	20.65	0.512	13.00	0.020	0.51	0.836	21.23	23
07 07-28	0.4375	11.113	1.0000	25.400	0.345	8.76	0.875	22.23	0.618	15.70	0.020	0.51	0.930	23.62	22
08 08-30	0.5000	12.700	1.1250	28.575	0.401	10.19	0.937	23.80	0.730	18.54	0.020	0.51	1.055	26.80	20
10 10-38	0.6250	15.875	1.3750	34.925	0.567	14.40	1.200	30.48	0.856	21.74	0.020	0.51	1.275	32.39	20
12 12-41	0.7500	19.050	1.5625	39.688	0.620	15.75	1.280	32.51	0.970	24.64	0.030	0.76	1.438	36.53	18
14 14-45	0.8750	22.225	1.7500	44.450	0.625	15.88	1.400	35.56	1.140	28.96	0.030	0.76	1.625	41.28	18
16 16-60	1.0000	25.400	2.1250	53.975	0.835	21.21	1.875	47.62	1.278	32.46	0.030	0.76	2.000	50.80	21
18 18-60	1.1250	28.575	2.3125	58.738	0.942	23.93	1.875	47.63	1.400	35.56	0.030	0.76	2.188	55.58	20
20 20-60	1.2500	31.750	2.5000	63.500	1.005	25.53	1.875	47.63	1.523	38.68	0.030	0.76	2.375	60.33	21
22 22-68	1.3750	34.925	2.7500	69.850	1.097	27.86	2.125	53.98	1.670	42.42	0.030	0.76	2.625	66.68	22
24 24-72	1.5000	38.100	3.0000	76.200	1.175	29.85	2.250	57.15	1.800	45.72	0.030	0.76	2.875	73.03	21

⁽¹⁾Chamfered Type only. ⁽²⁾Grooved Type only. See page 17 for groove dimensions.

LOAD RATINGS

Chamfered 03-828 NE	Grooved 03-829 NEG		Oscillating Radial Load Rating ⁽¹⁾		Radial Limit Load Rating ⁽¹⁾		No Load Rational Starting Torque		Weight Approx.	
			lbf.	N	lbf.	N	in.-lbs.	N-m	lbs.	kg
03 03-16	03 03-16	3700	16500	6400	28500	.25-5	.03-.56	0.02	0.008	
04 04-19	04 04-19	5300	23600	10700	47600	.25-5	.03-.56	0.04	0.016	
05 05-20	05 05-20	5300	23600	10700	47600	1-15	.11-1.7	0.03	0.013	
06 06-26	06 06-26	9500	42300	19100	85000	1-15	.11-1.7	0.07	0.031	
07 07-28	07 07-28	10800	48000	21700	96500	1-15	.11-1.7	0.10	0.043	
08 08-30	08 08-30	14400	64100	28800	128100	1-15	.11-1.7	0.16	0.072	
10 10-38	10 10-38	25100	111700	50600	225100	1-15	.11-1.7	0.25	0.111	
12 12-41	12 12-41	30200	134300	60500	269100	1-15	.11-1.7	0.32	0.143	
14 14-45	14 14-45	34300	152600	68600	305100	1-24	.11-2.7	0.43	0.195	
16 16-60	16 16-60	55600	247300	111200	494600	1-24	.11-2.7	0.83	0.377	
18 18-60	18 18-60	68900	306500	138100	614300	1-24	.11-2.7	1.10	0.497	
20 20-60	20 20-60	80300	357200	160600	714400	1-24	.11-2.7	1.32	0.598	
22 22-68	22 22-68	97500	433700	195300	868700	1-24	.11-2.7	1.80	0.816	
24 24-72	24 24-72	111700	496900	223400	993700	1.24	.11-2.7	2.22	1.008	

⁽¹⁾Load ratings based on AS81820 except limitations due to pin bending.