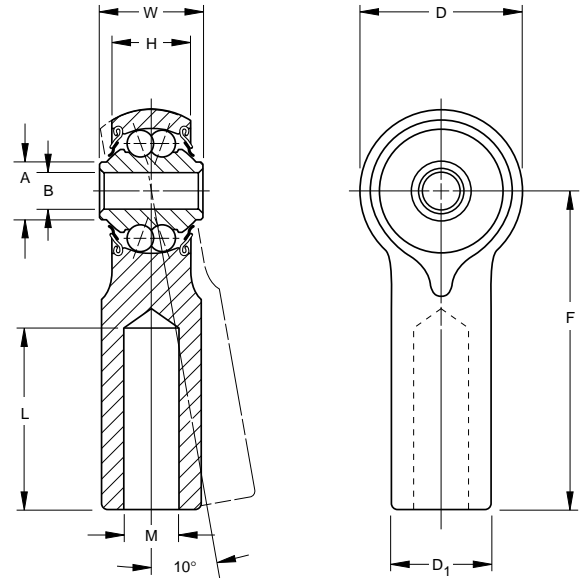


MS21152/MS21150 • SAE-AS6039

- Precision series
- Double row, ball, self-aligning
- 10° permissible misalignment in either direction
- These bearings are manufactured with an internal play of .0004 in. (.010mm) max.
- Inner and outer raceway surface finish = 8 micro in. AA max.
- Equipped with PTFE seals
- Exposed surfaces except bore, cap, and seals are cadmium plated
- Outer shank - 90,000 psi min. tensile strength



SPECIFICATIONS AND ORDERING INFORMATION

TO ORDER, SPECIFY BEARING NUMBER AND FACTORY SPECIFICATION. SEE TABLE 1 ON PG 8. (Example REP3H5 FS464)

Bearing Number	MS 21152 Dash No.	Bore B		Outside Diameter D		Widths W H		A	F	L ⁽¹⁾	D ₁	M	Wt.		Radial Limit Load Rating								
		in.	mm	in.	mm	in.	mm						in.	mm	in.	mm	lbs.	kg	lbf.	N			
		+0.0000,-.0003 +0.000,-.008		±.010 ±.25		+0.000,-.005 +0.00,-.13		±.010 ±.25		Approx.	±.010 ±.25	±.031 ±.79	+0.000,-.002 +0.00,-.05	±.010 ±.25		Approx.							
HOLLOW SHANK																							
REP3H5	-1	0.1900	4.826	0.781	19.84	0.437	11.10	0.328	8.33	0.281	7.14	1.375	34.92	0.875	22.22	0.430	10.92	0.272	6.91	0.06	0.027	1000	4400
REP4H8	-3	0.2500	6.350	0.938	23.83	0.593	15.06	0.438	11.13	0.345	8.76	1.625	41.28	0.875	22.22	0.625	15.88	0.515	13.08	0.08	0.036	1720	7650
REP4H5-2	-4	0.2500	6.350	0.938	23.83	0.593	15.06	0.438	11.13	0.345	8.76	1.875	47.62	0.750	19.05	0.438	11.13	0.346	8.79	0.12	0.054	1720	7650
REP4H8-2	-5	0.2500	6.350	0.938	23.83	0.593	15.06	0.438	11.13	0.345	8.76	1.875	47.62	1.125	28.58	0.625	15.88	0.500	12.70	0.09	0.041	1720	7650
REP4H6	-2	0.2500	6.350	0.938	23.83	0.593	15.06	0.438	11.13	0.345	8.76	1.875	47.62	1.219	30.96	0.625	15.88	0.386	9.80	0.12	0.054	1720	7650
REP5H8	-	0.3125	7.938	1.250	31.75	0.870	22.10	0.656	16.66	0.506	12.85	2.438	61.93	1.562	39.67	0.625	15.88	0.500	12.70	0.15	0.068	2920	12900
REP8H10	-	0.5000	12.700	1.875	47.62	1.000	25.40	0.844	21.44	0.688	17.48	3.031	76.99	1.640	41.66	0.625	15.88	0.438	11.13	0.55	0.249	6900	30500
	MS 21150																						
SOLID SHANK																							
REP3S7	-1	0.1900	4.826	0.781	19.84	0.437	11.10	0.328	8.33	0.281	7.14	1.375	34.92	-	-	0.430	10.92	-	-	0.07	0.032	1000	4400
REP4S10	-2	0.2500	6.350	0.938	23.83	0.593	15.06	0.438	11.13	0.345	8.76	1.875	47.62	-	-	0.625	15.88	-	-	0.16	0.073	1720	7650

BALL BEARING ROD ENDS