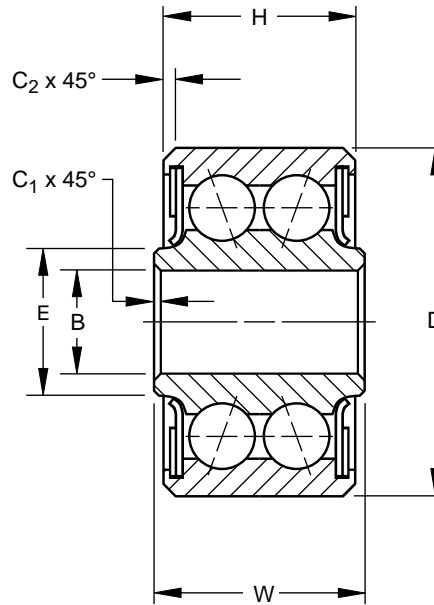
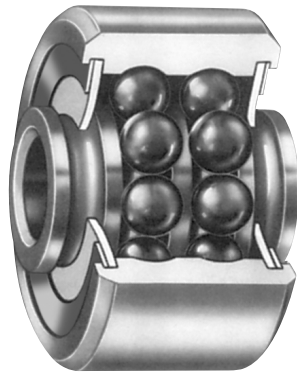


MDPP Precision Series

- Double row, ball, light and heavy duty
- PTFE seals and CRES sealcaps
- Exposed surfaces except bore, caps and seals are cadmium plated
- Prelubricated for life
- Also offered with CRES 440C material and/or zinc nickel plating per OEM specifications



AIRFRAME CONTROL BALL BEARINGS

SPECIFICATIONS AND ORDERING INFORMATION

TO ORDER, SPECIFY BEARING NUMBER AND FACTORY SPECIFICATION. SEE TABLE 1 ON PG 8. (Example MDPP3 FS464)

Bearing Number	Bore B		Outside Diameter D		Widths				E	C ₁		C ₂		Wt.		Radial Limit Load Rating	Thrust Limit Load Rating				
	in.	mm	in.	mm	W	H				in.	mm	in.	mm	lbs.	kg						
	+0.0000, -0.0003 +0.000, -0.008		+0.0000, -0.0004 +0.000, -0.010		+0.0000, -0.0025 +0.000, -0.064		+0.000, -0.0005 +0.00, -0.13		Approx.	+0.015-0.000 +0.38-0.00		+0.015-0.000 +0.38-0.00		Approx.							
									in.	mm	in.	mm	in.	mm	lbs.	kg	lbf.	N			
*MDPP3	—	0.1900	4.826	0.7774	19.746	0.4950	12.570	0.473	12.01	0.302	7.67	0.005	0.13	0.018	0.46	0.04	0.018	2950	13200	1700	7500
MDPP4	—	0.2500	6.350	0.9014	22.896	0.6200	15.750	0.491	12.47	0.410	10.41	0.005	0.13	0.032	0.81	0.06	0.027	5370	24000	1800	8000
MDPP5	—	0.3125	7.938	1.2500	31.750	0.7450	18.920	0.687	17.45	0.469	11.91	0.015	0.38	0.032	0.81	0.17	0.077	11000	49000	4000	17800
*MDPP6	—	0.3750	9.525	1.4375	36.512	0.8700	22.100	0.794	20.17	0.551	14.00	0.015	0.38	0.032	0.81	0.26	0.118	15760	70000	5300	23600
*MDPP8	—	0.5000	12.700	1.6875	42.862	0.9320	23.670	0.856	21.74	0.735	18.67	0.015	0.38	0.044	1.12	0.38	0.172	23600	105000	7800	34700
*MDPP10	—	0.6250	15.875	1.9375	49.212	0.9950	25.270	0.920	23.37	0.890	22.61	0.015	0.38	0.044	1.12	0.53	0.240	28400	126000	9400	41800

* Check for availability.