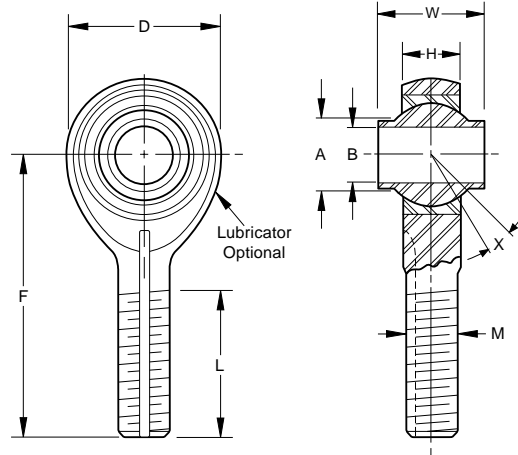


HIGH MISALIGNMENT METAL-TO-METAL ROD END BEARINGS

- Male type, rod end
- Material: Ball: CRES 440C, Heat treated
Race: CRES 17-4PH, Heat treated
Rod end body: CRES 17-4PH, Heat treated
- Rolled threads conform to UNJ-3A. For rod ends with left hand thread add "L" or "1" depending on part number ordered. Example: see below
- For rod ends with slotted shank or "keyway" add "K" or "1"
Example: see below



SPECIFICATIONS AND ORDERING INFORMATION

DIMENSIONS – TOLERANCES

| PART NUMBERS MSS xxH 01-507 Dash No. Dash No. | B | | D | | L | | F | | W | | H | | A | M | X° | |
|---|---------------------------------|--------|----------------|-------|----------------|-------|----------------|--------|-----------------------------|-------|----------------|-------|-------|--------|----------|----|
| | +0.000, -0.005 +0.00, -0.013 | | ±.010 +0.25 | | ±.060 ±1.52 | | ±.010 ±0.25 | | +.000, -.005 +0.00, -.13 | | ±.005 ±0.13 | | REF. | UNF-3A | REF. | |
| | in. | mm | in. | mm | in. | mm | in. | mm | in. | mm | in. | mm | in. | mm | | |
| 03H -03 | .1900 | 4.826 | .781 | 19.84 | 1.000 | 25.40 | 1.562 | 39.67 | .560 | 14.22 | .337 | 8.56 | .301 | 7.65 | 5/16-24 | 16 |
| 03HA -03A | .1900 | 4.826 | .750 | 19.05 | 1.000 | 25.40 | 1.500 | 38.10 | .500 | 12.70 | .220 | 5.59 | .319 | 8.10 | 5/16-24 | 15 |
| 04H -04 | .2500 | 6.350 | 1.000 | 25.40 | 1.250 | 31.75 | 1.938 | 49.23 | .593 | 15.06 | .265 | 6.73 | .390 | 9.91 | 5/16-24 | 23 |
| 05H -05 | .3125 | 7.938 | 1.125 | 28.58 | 1.375 | 34.93 | 2.125 | 53.98 | .813 | 20.65 | .355 | 8.89 | .512 | 13.00 | 5/16-24 | 23 |
| 05HA -05A | .3125 | 7.938 | .875 | 22.23 | 1.062 | 26.97 | 1.875 | 47.63 | .625 | 15.88 | .265 | 6.73 | .418 | 10.62 | 5/16-24 | 16 |
| 06H -06 | .3750 | 9.525 | 1.125 | 28.58 | 1.375 | 34.93 | 2.125 | 53.98 | .813 | 20.65 | .355 | 8.89 | .512 | 13.00 | 3/8-24 | 23 |
| 07H -07 | .4375 | 11.112 | 1.312 | 33.32 | 1.500 | 38.10 | 2.437 | 61.90 | .875 | 22.23 | .355 | 8.89 | .618 | 15.70 | 7/16-20 | 22 |
| 08H -08 | .5000 | 12.700 | 1.500 | 38.10 | 1.625 | 41.28 | 2.625 | 66.68 | .937 | 23.80 | .411 | 10.44 | .730 | 18.54 | 1/2-20 | 20 |
| 10H -10 | .6250 | 15.875 | 1.750 | 44.45 | 1.750 | 44.45 | 2.875 | 73.03 | 1.200 | 30.48 | .577 | 14.66 | .856 | 21.74 | 5/8-18 | 20 |
| 12H -12 | .7500 | 19.050 | 2.000 | 50.80 | 1.875 | 47.63 | 3.375 | 85.73 | 1.280 | 32.51 | .630 | 16.00 | .970 | 24.64 | 3/4-16 | 18 |
| 14H -14 | .8750 | 22.225 | 2.200 | 55.88 | 2.000 | 50.80 | 3.750 | 95.25 | 1.400 | 35.56 | .635 | 16.13 | 1.140 | 28.96 | 7/8-14 | 18 |
| 16H -16 | 1.0000 | 25.400 | 2.225 | 56.85 | 2.125 | 53.98 | 4.125 | 104.78 | 1.875 | 47.63 | .845 | 21.46 | 1.278 | 32.46 | 1 1/4-12 | 21 |
| 20H -20 | 1.2500 | 31.750 | 3.125 | 79.38 | 2.875 | 73.03 | 5.000 | 127.00 | 1.875 | 47.63 | 1.015 | 25.78 | 1.523 | 38.68 | 1 1/4-12 | 21 |

LOAD RATINGS

| PART NUMBERS MSS xxH 01-507 Dash No. Dash No. | Static Radial Limit Load | | Weight Approx. | | Maximum Radial Clearance | |
|---|--------------------------|---------------------|----------------|------|--------------------------|------|
| | lbf. | N | lbs. | kg | in. | mm |
| | 03H -03 | 4060 ⁽¹⁾ | 18059 | .08 | 0.04 | .002 |
| 03HA -03A | 4060 ⁽¹⁾ | 18059 | .06 | 0.03 | .002 | 0.05 |
| 04H -04 | 7040 ⁽¹⁾ | 31314 | .11 | 0.05 | .002 | 0.05 |
| 05H -05 | 8260 | 36874 | .18 | 0.08 | .002 | 0.05 |
| 05HA -05A | 5300 | 23574 | .10 | 0.05 | .002 | 0.05 |
| 06H -06 | 8260 | 36740 | .17 | 0.08 | .002 | 0.05 |
| 07H -07 | 12420 | 55244 | .26 | 0.12 | .002 | 0.05 |
| 08H -08 | 17430 | 77529 | .40 | 0.18 | .002 | 0.05 |
| 10H -10 | 23620 | 105062 | .63 | 0.29 | .002 | 0.05 |
| 12H -12 | 30550 | 135886 | .87 | 0.39 | .002 | 0.05 |
| 14H -14 | 31970 | 142203 | 1.01 | 0.46 | .002 | 0.05 |
| 16H -16 | 59510 | 264700 | 2.31 | 1.05 | .002 | 0.05 |
| 20H -20 | 70060 | 313869 | 3.15 | 1.43 | .002 | 0.05 |

⁽¹⁾ Based on pin limitation.

Notes: Available with lubricators, solid film lubricant and lubrication holes and groove in ball.

Please see engineering section or contact RBC Aerospace Bearings.

| Bearing configuration | Part number designations for a 0.2500 in. bore rod end | |
|-----------------------|--|------------|
| Base P/N (no options) | MSS04H | 01-507-04 |
| Keyway on threads | MSSK04H | 01-507-041 |
| Left hand thread | MSSL04H | 11-507-04 |

ROD END BEARINGS

©2008 RBC Bearings Incorporated. All rights reserved.