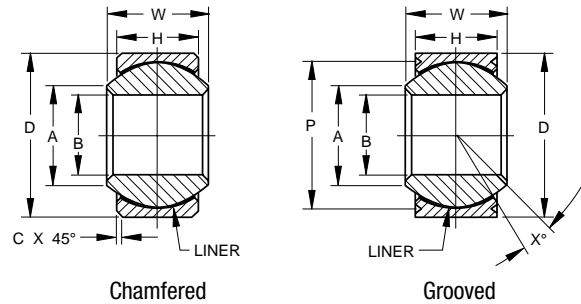


HIGH TEMPERATURE SELF-LUBRICATED SPHERICAL BEARING, WIDE

- Wide series, self-lubricated
- High temperature — low wear
-65°F to +600°F (-53.9°C to +301°C)
- Material
Outer ring: CRES A-286 Race
Inner ring: Cobalt base alloy with proprietary coating
Liner: Fabroid® X



SPHERICAL BEARINGS

SPECIFICATIONS AND ORDERING INFORMATION

DIMENSIONS – TOLERANCES

Bearing Number	Bearing Number	B Ref.		D		H		W		A		C ⁽¹⁾		P ⁽²⁾ Groove Pitch Diameter		X° Ref.
		+0.000, -0.005 +0.00, -0.013	+0.000, -0.005 +0.000, -0.013	±.005 ±.013	±.005 ±.013	+0.00, -0.002 +0.00, -0.05	Min.	+0.010, -0.000 +0.25, -0.00	+0.000 in., -0.008 in. +0.00 mm, -0.20mm							
Chamfered Part Numbers	Grooved Part Numbers	in.	mm	in.	mm	in.	mm	in.	mm	in.	mm	in.	mm	in.	mm	
03-452-03	03-453-03	.1900	4.826	.6250	15.875	.327	8.31	.437	11.10	.300	7.62	.010	0.25	.563	14.30	15
03-452-04	03-453-04	.2500	6.350	.6250	15.875	.327	8.31	.437	11.10	.300	7.62	.010	0.25	.563	14.30	15
03-452-05	03-453-05	.3125	7.938	.6875	17.462	.317	8.05	.437	11.10	.360	9.14	.010	0.25	.625	15.88	14
03-452-06	03-453-06	.3750	9.525	.8125	20.638	.406	10.31	.500	12.70	.466	11.84	.020	0.51	.712	18.08	8
03-452-07	03-453-07	.4375	11.112	.9375	23.812	.442	11.23	.562	14.27	.537	13.64	.020	0.51	.837	21.26	10
03-452-08	03-453-08	.5000	12.700	1.0000	25.400	.505	12.83	.625	15.88	.607	15.42	.020	0.51	.900	22.86	9
03-452-09	03-453-09	.5625	14.288	1.1250	28.575	.536	13.61	.687	17.45	.721	18.31	.020	0.51	1.025	26.04	10
03-452-10	03-453-10	.6250	15.875	1.1875	30.162	.567	14.40	.750	19.05	.747	18.97	.020	0.51	1.087	27.61	12
03-452-12	03-453-12	.7500	19.050	1.3750	34.925	.630	16.00	.875	22.22	.845	21.46	.030	0.76	1.251	31.78	13
03-452-14	03-453-14	.8750	22.225	1.6250	41.275	.755	19.18	.875	22.22	.995	25.27	.030	0.76	1.501	38.13	6
03-452-16	03-453-16	1.0000	25.400	2.1250	53.975	1.005	25.53	1.375	34.92	1.269	32.33	.030	0.76	2.001	50.83	12

⁽¹⁾Chamfered Type only.

⁽²⁾Grooved Type only. See page 17 for groove dimensions.

LOAD RATINGS

Bearing Number	Bearing Number	Oscillating Radial Load Rating ⁽¹⁾		Radial Limit Load Rating ⁽¹⁾		Thrust Limit Load Rating ⁽¹⁾		No Load Rotational Breakaway Torque Standard "K" Type				Weight Approx.	
		lbs.	N	lbs.	N	lbs.	N	in.-lbs.	N-m	in.-lbs.	N-m	lbs.	kg
03-452-03	03-453-03	3063	13600	1563	7000	1106	5000	.25-5	.03-.56	0-0.5	0-0.06	.031	.014
03-452-04	03-453-04	3063	13600	3438	15300	1106	5000	.25-5	.03-.56	0-0.5	0-0.06	.031	.014
03-452-05	03-453-05	3781	16800	5875	26100	1025	4600	.25-8	.03-.90	0-1	0-1.1	.035	.016
03-452-06	03-453-06	5194	23100	8563	38100	1644	7300	.25-8	.03-.90	0-1	0-1.1	.060	.027
03-452-07	03-453-07	7344	32700	12938	57600	2281	10200	.25-8	.03-.90	0-1	0-1.1	.080	.036
03-452-08	03-453-08	9344	41600	13375	59500	3106	13800	.25-8	.03-.90	0-1	0-1.1	.100	.045
03-452-09	03-453-09	11313	50300	16625	74000	3356	14900	.25-8	.03-.90	0-1	0-1.1	.135	.061
03-452-10	03-453-10	12656	56300	18125	80600	3831	17000	.25-8	.03-.90	0-1	0-1.1	.160	.072
03-452-12	03-453-12	16375	72900	23125	102900	4831	21500	.25-8	.03-.90	0-1	0-1.1	.240	.110
03-452-14	03-453-14	21000	93400	40750	181300	6750	30000	.25-12	.03-1.4	0-2	0-2.3	.350	.160
03-452-16	03-453-16	35156	156400	65000	289100	12063	53700	.25-12	.03-1.4	0-2	0-2.3	.970	.440

⁽¹⁾Load ratings based on 62.5% of AS81820 ratings.

Bearing configuration	Part number designations for a 0.2500 in. bore, grooved spherical bearing
Base P/N (no options)	03-453-04
Low breakaway torque	03-453-04K