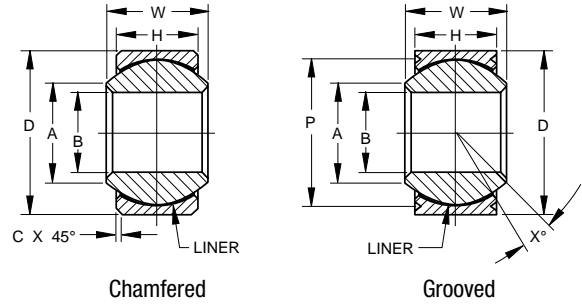


HIGH TEMPERATURE SELF-LUBRICATED SPHERICAL BEARING, NARROW

- Narrow series, self-lubricated
- High temperature — low wear
-65°F to +600°F (-53.9°C to +301°C)
- Material
Outer ring: CRES A-286 Race
Inner ring: Cobalt base alloy with proprietary coating
Liner: Fabroid® X



SPECIFICATIONS AND ORDERING INFORMATION

DIMENSIONS – TOLERANCES

Bearing Number	Bearing Number	B Ref.		D		H		W		A		C ⁽¹⁾		P ⁽²⁾ Groove Pitch Diameter		X° Ref.
		+ .0000, - .0005 + .000, - .013	+ .0000, - .0005 + .000, - .013	± .005 ± .13	± .000, - .002 + .00, - .05	Min.	+ .010, - .000 + .25, - .00	+ .000 in., - .008 in. + .00 mm, - .20mm								
Chamfered Part Numbers		Grooved Part Numbers		in.	mm	in.	mm	in.	mm	in.	mm	in.	mm	in.	mm	
03-450-03	03-451-03	.1900	4.826	.5625	14.288	.218	5.54	.281	7.14	.293	7.44	.010	.25	.500	12.70	10
03-450-04	03-451-04	.2500	6.350	.6562	16.667	.250	6.35	.343	8.71	.364	9.25	.010	.25	.594	15.09	10
03-450-05	03-451-05	.3125	7.938	.7500	19.050	.281	7.14	.375	9.52	.419	10.64	.010	.25	.660	16.76	10
03-450-06	03-451-06	.3750	9.525	.8125	20.638	.312	7.92	.406	10.31	.475	12.06	.020	.51	.712	18.08	9
03-450-07	03-451-07	.4375	11.112	.9062	23.017	.343	8.71	.437	11.10	.530	13.46	.020	.51	.806	20.47	8
03-450-08	03-451-08	.5000	12.700	1.0000	25.400	.390	9.91	.500	12.70	.600	15.24	.020	.51	.876	22.25	8
03-450-09	03-451-09	.5625	14.288	1.0937	27.780	.437	11.10	.562	14.27	.670	17.02	.020	.51	.970	24.64	8
03-450-10	03-451-10	.625	15.875	1.1875	30.162	.500	12.70	.625	15.88	.739	18.77	.020	.51	1.063	27.00	8
03-450-12	03-451-12	.7500	19.050	1.4375	36.512	.593	15.06	.750	19.05	.920	23.37	.030	.76	1.313	33.35	8
03-450-14	03-451-14	.8750	22.225	1.5625	39.688	.703	17.86	.875	22.22	.980	24.89	.030	.76	1.438	36.53	8
03-450-16	03-451-16	1.0000	25.400	1.7500	44.450	.797	20.24	1.000	25.40	1.118	28.40	.030	.76	1.626	41.30	9

(1) Chamfered Type only.

(2) Grooved Type only. See page 17 for groove dimensions.

LOAD RATINGS

Bearing Number	Bearing Number	Oscillating Radial Load Rating ⁽¹⁾		Radial Limit Load Rating ⁽¹⁾		Thrust Limit Load Rating ⁽¹⁾		No Load Rotational Breakaway Torque Standard "K" Type				Weight Approx.	
		lbs.	N	lbs.	N	lbs.	N	in.-lbs.	N-m	in.-lbs.	N-m	lbs.	kg
03-450-03	03-451-03	938	4200	2484	11100	94	420	.25-5	.03-.56	0-0.5	0-.06	.02	.010
03-450-04	03-451-04	2075	9200	3775	16800	269	1200	.25-5	.03-.56	0-0.5	0-.06	.02	.010
03-450-05	03-451-05	3413	15200	5469	24400	438	2000	.25-8	.03-.90	0-1	0-.11	.03	.015
03-450-06	03-451-06	4125	18400	6588	29300	688	3100	.25-8	.03-.90	0-1	0-.11	.04	.017
03-450-07	03-451-07	5031	22400	8250	36700	875	3900	.25-8	.03-.90	0-1	0-.11	.05	.023
03-450-08	03-451-08	6500	29000	11188	49800	1313	5800	.25-8	.03-.90	0-1	0-.11	.07	.032
03-450-09	03-451-09	8125	36200	14500	64500	2300	10200	.25-8	.03-.90	0-1	0-.11	.09	.041
03-450-10	03-451-10	10281	45800	19063	84800	2950	13200	.25-8	.03-.90	0-1	0-.11	.12	.056
03-450-12	03-451-12	14750	65600	29000	129000	4219	18800	.25-8	.03-.90	0-1	0-.11	.21	.095
03-450-14	03-451-14	18906	84100	38875	173000	5844	26000	.25-12	.03-1.4	0-2	0-.23	.27	.122
03-450-16	03-451-16	23750	105700	51375	228500	7600	33800	.25-12	.03-1.4	0-2	0-.23	.39	.175

(1) Load ratings based on 62.5% of AS81820 ratings.

Bearing configuration	Part number designations for a 0.2500 in. bore, grooved spherical bearing
Base P/N (no options)	03-451-04
Low breakaway torque	03-451-04K