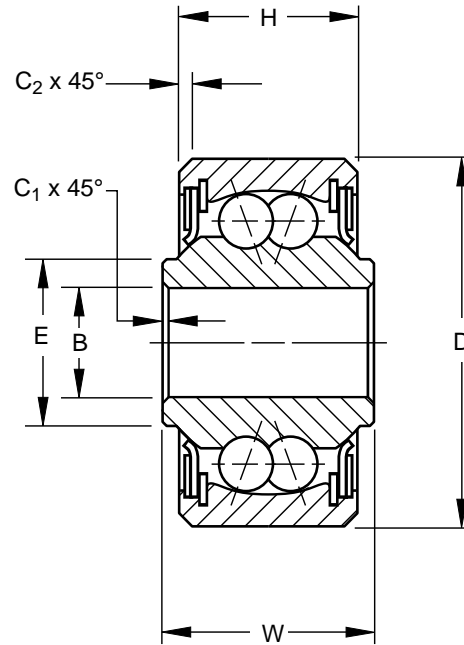
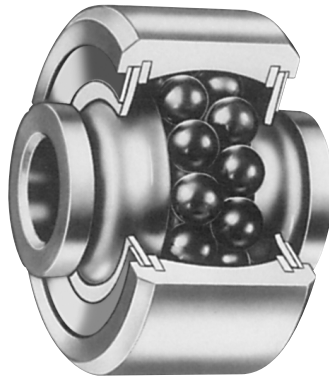


MS27643 • SAE-AS7949

- Double row, ball, self-aligning, heavy duty
- PTFE seals and CRES sealcaps
- Exposed surfaces except bore, caps, and seals are cadmium plated
- Prelubricated for life
- Also offered with CRES 440C material and/or zinc nickel plating per OEM specifications



SPECIFICATIONS AND ORDERING INFORMATION

TO ORDER, SPECIFY BEARING NUMBER AND FACTORY SPECIFICATION. SEE TABLE 1 ON PG 8. (Example DSP3 FS464)

| Bearing Number ⁽¹⁾ | MS 27643 Dash No. | Bore B | | Outside Diameter D | | Widths | | | | E | | C ₁ | | C ₂ | | Wt. | | Radial Limit Load Rating | Thrust Limit Load Rating | | |
|-------------------------------|-------------------|------------------------------------|--------|------------------------------------|--------|----------------------------------|-------|--------------------------------|-------|---------|-------|--------------------------------|------|--------------------------------|------|---------|-------|--------------------------|--------------------------|------|------|
| | | +0.0000, -0.0005 +0.000, -0.013 | | +0.0000, -0.0005 +0.000, -0.013 | | +0.0000, -0.005 +0.000, -0.13 | | +0.000, -0.005 +0.00, -0.13 | | Approx. | | +0.015, -0.000 +0.38, -0.00 | | +0.015, -0.000 +0.38, -0.00 | | Approx. | | | | | |
| | | in. | mm | in. | mm | in. | mm | in. | mm | in. | mm | in. | mm | in. | mm | lbs. | kg | | | | |
| DSP3 | -3 | 0.1900 | 4.826 | 0.7774 | 19.746 | 0.500 | 12.70 | 0.392 | 9.96 | 0.304 | 7.72 | 0.005 | 0.13 | 0.022 | 0.56 | 0.04 | 0.018 | 1420 | 6300 | 200 | 900 |
| DSP4 | -4 | 0.2500 | 6.350 | 0.9014 | 22.896 | 0.687 | 17.45 | 0.464 | 11.79 | 0.430 | 10.92 | 0.005 | 0.13 | 0.032 | 0.81 | 0.06 | 0.027 | 1780 | 7900 | 300 | 1340 |
| DSP5 | -5 | 0.3125 | 7.938 | 1.2500 | 31.750 | 0.812 | 20.62 | 0.656 | 16.66 | 0.515 | 13.08 | 0.015 | 0.38 | 0.032 | 0.81 | 0.16 | 0.073 | 3740 | 16600 | 600 | 2650 |
| DSP6 | -6 | 0.3750 | 9.525 | 1.4375 | 36.512 | 0.937 | 23.80 | 0.750 | 19.05 | 0.564 | 14.33 | 0.015 | 0.38 | 0.032 | 0.81 | 0.24 | 0.109 | 5100 | 22700 | 800 | 3550 |
| DSP8 | -8 | 0.5000 | 12.700 | 1.6875 | 42.862 | 1.000 | 25.40 | 0.812 | 20.62 | 0.775 | 19.68 | 0.015 | 0.38 | 0.044 | 1.12 | 0.36 | 0.163 | 7120 | 31700 | 1000 | 4400 |
| DSP10 | -10 | 0.6250 | 15.875 | 1.9375 | 49.212 | 1.125 | 28.58 | 0.937 | 23.80 | 0.869 | 22.07 | 0.015 | 0.38 | 0.044 | 1.12 | 0.53 | 0.240 | 9000 | 40000 | 1300 | 5800 |

⁽¹⁾ These bearings are self-aligning for 10° in either direction .