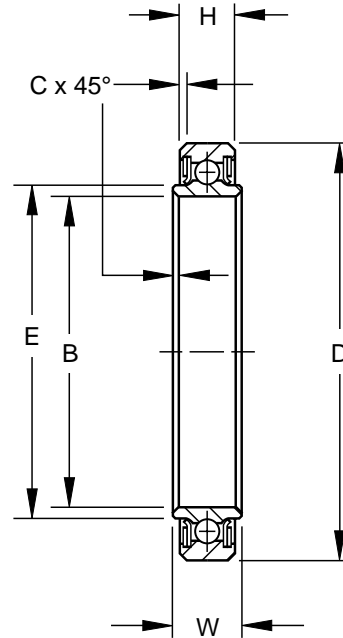


MS27642 • SAE-AS7949

- Single row, ball, light duty
- PTFE seals and CRES sealcaps
- Exposed surfaces except bore, caps, and seals are cadmium plated
- Prelubricated for life
- Also offered with CRES 440C material and/or zinc nickel plating per OEM specifications



AIRFRAME CONTROL BALL BEARINGS

SPECIFICATIONS AND ORDERING INFORMATION

TO ORDER, SPECIFY BEARING NUMBER AND FACTORY SPECIFICATION. SEE TABLE 1 ON PG 8. (Example KP16B FS464)

Bearing Number	MS 27642 Dash No.	Bore B		Outside Diameter D		Widths		H	E	C	Wt.		Radial Limit Load Rating	Thrust Limit Load Rating					
		+0.0000, -0.0010 +0.000, -0.025	+0.0000, -0.0010 +0.000, -0.025	+0.0000, -0.005 +0.000, -0.13	+0.000, -0.005 +0.00, -0.13	Approx.	+0.015, -0.000 +0.38, -0.00				Approx.								
		in.	mm	in.	mm	in.	mm	in.	mm	in.	mm	lbs.	kg	lbf.	N				
KP16B	-16	1.0000 ⁽¹⁾	25.400 ⁽¹⁾	1.7500	44.450	0.437	11.10	0.375	9.53	1.150	29.21	0.024	0.61	0.14	0.064	8085	36000	3600	16000
KP21B	-21	1.3130	33.350	2.0625	52.388	0.437	11.10	0.375	9.53	1.465	37.21	0.024	0.61	0.16	0.073	9840	43800	4400	19600
KP23B	-23	1.4380	36.525	2.1875	55.563	0.437	11.10	0.375	9.53	1.585	40.26	0.024	0.61	0.17	0.077	10500	46700	4700	20900
KP25B	-25	1.5630	39.700	2.3125	58.738	0.437	11.10	0.375	9.53	1.700	43.18	0.024	0.61	0.19	0.086	11300	50300	5000	22300
KP29B	-29	1.8130	46.050	2.5625	65.088	0.437	11.10	0.375	9.53	1.940	49.28	0.024	0.61	0.21	0.095	12700	56500	5600	25000
KP33B	-33	2.0630	52.400	2.8125	71.438	0.437	11.10	0.375	9.53	2.234	56.74	0.024	0.61	0.23	0.104	14400	64000	6400	28600
KP37B	-37	2.3130	58.750	3.0625	77.788	0.437	11.10	0.375	9.53	2.475	62.87	0.024	0.61	0.26	0.118	15800	70300	7000	31100
KP47B	-47	2.9380	74.625	3.8750	98.425	0.531	13.49	0.469	11.91	3.105	78.87	0.039	0.99	0.49	0.222	24700	110000	10900	48500
KP49B	-49	3.0630	77.800	4.0000	101.600	0.531	13.49	0.469	11.91	3.230	82.04	0.039	0.99	0.53	0.240	27500	122500	12100	54000
*KP52B	-52	3.2500	82.550	4.1875	106.363	0.531	13.49	0.469	11.91	3.460	87.88	0.039	0.99	0.55	0.249	28700	127700	12600	56000
*KP56B	-56	3.5000	88.900	4.4375	112.713	0.531	13.49	0.469	11.91	3.734	94.84	0.039	0.99	0.61	0.277	31200	140000	13700	61000
*KP60B	-60	3.7500	95.250	4.6875	119.063	0.531	13.49	0.469	11.91	3.972	100.89	0.039	0.99	0.64	0.290	33100	147300	14600	65000
*KP64B	-64	4.0000	101.600	4.9375	125.413	0.531	13.49	0.469	11.91	4.217	107.11	0.039	0.99	0.64	0.290	35500	157900	15400	68500
*KP68B	-68	4.2500	107.950	5.3125	134.938	0.593	15.06	0.531	13.49	4.478	113.74	0.039	0.99	0.73	0.331	41900	186400	18400	81800
*KP72B	-72	4.5000	114.300	5.5625	142.875	0.593	15.06	0.531	13.49	4.736	120.29	0.039	0.99	0.76	0.345	44300	197000	19500	86700

⁽¹⁾ +0.0000, -0.0005 in.; +0.000, -0.013mm.

*Check for availability.