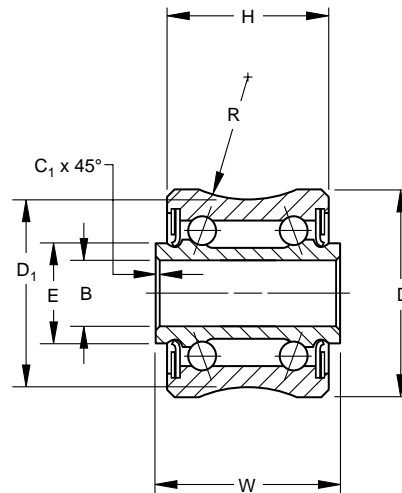
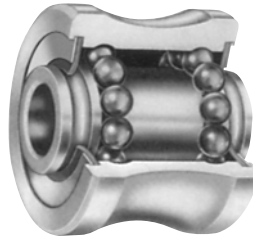


G Series

- Single and double row
- Equipped with molded rubber seals or CRES shields
- Exposed surfaces except bore, caps, and seals are cadmium plated
- Prelubricated for life



SPECIFICATIONS AND ORDERING INFORMATION

TO ORDER, SPECIFY BEARING NUMBER AND FACTORY SPECIFICATION PER BELOW. (Example GD5M28 FS160)

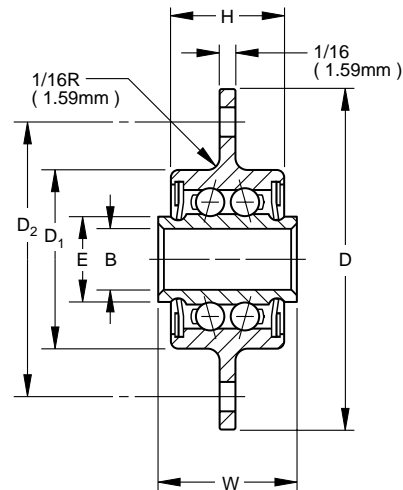
Bearing Number	Bore B		Outside Diameter D		Widths W		H		E		C ₁		D ₁		R		Max. Safe Working Load Radial ⁽¹⁾	Wt. Approx.		
	in.	mm	in.	mm	in.	mm	in.	mm	in.	mm	in.	mm	in.	mm	in.	mm			lb.	N
*GD5M28 FS160	0.3125	7.938	1.015	25.78	0.9375	23.81	0.812	20.62	0.472	11.99	0.005	0.13	0.901	22.89	0.895	22.73	600	2650	0.10	0.045
	0.3120	7.925											0.900	22.86	0.905	22.99				

⁽¹⁾ The maximum safe working load is that radial load to obtain 100,000 ft. (30,500 M) peripheral travel life.

AIRFRAME CONTROL BALL BEARINGS

BCP Series

- Double row, ball
- Equipped with molded rubber seals
- Exposed surfaces except bore, caps, and seals are cadmium plated
- Prepacked with lubricant conforming to MIL-PRF-23827



SPECIFICATIONS AND ORDERING INFORMATION

TO ORDER, SPECIFY BEARING NUMBER AND FACTORY SPECIFICATION PER BELOW. (Example BCP4W10 FS302)

Bearing Number ⁽¹⁾	Bore B		Outside Diameter D		Widths W		H		E		D ₁		D ₂		Wt. Approx.		Radial Limit Load Rating	Thrust Limit Load Rating		
	in.	mm	in.	mm	in.	mm	in.	mm	in.	mm	in.	mm	in.	mm	lbs.	kg			lb.	N
BCP4W10 FS302	0.25	6.350	1.625	41.28	0.625	15.88	0.500	12.70	0.404	10.26	0.750	19.05	1.312	33.32	0.06	0.027	2770	12300	700	3100
BCP5W11 FS302	0.3125	7.938	1.687	42.85	0.687	17.45	0.562	14.27	0.453	11.51	0.875	22.22	1.375	34.92	0.08	0.036	3280	14600	900	4000

⁽¹⁾ Both sizes are furnished with 12 equally spaced holes in the flange. Holes are .140 in. (+.005, -.000) in diameter.