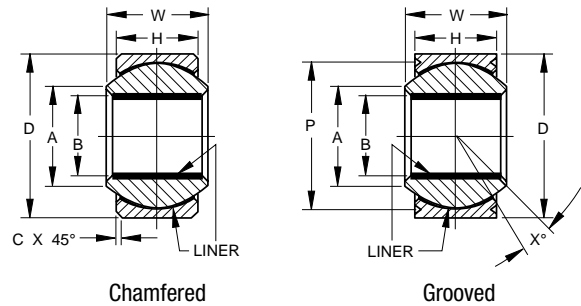


LIGHT WEIGHT TITANIUM SELF-LUBRICATED SPHERICAL BEARING, NARROW

- Narrow series, self-lubricated, lined bore
- Material
 - Outer ring: Titanium 6Al-4V
 - Inner ring: Titanium 6Al-4V, proprietary coating
 - Liner: Fibriloid® qualified to AS81820



SPECIFICATIONS AND ORDERING INFORMATION

DIMENSIONS – TOLERANCES

Bearing Number	Bearing Number	B Ref.		D		H		W		A		C ⁽¹⁾		P ⁽²⁾ Groove Pitch Diameter		X° Ref.
		+.0000, -.0010 +.000, -.025	+.0000, -.0005 +.000, -.013	in.	mm	in.	mm	in.	mm	in.	mm	in.	mm	in.	mm	
Chamfered Part Numbers	Grooved Part Numbers									Min.						
03-850-03	03-851-03	.1910	4.851	.5625	14.288	.218	5.54	.281	7.14	.336	8.53	.010	.25	.500	12.70	10
03-850-04	03-851-04	.2510	6.375	.6562	16.667	.250	6.35	.343	8.71	.364	9.25	.010	.25	.594	15.09	10
03-850-05	03-851-05	.3135	7.963	.7500	19.050	.281	7.14	.375	9.52	.419	10.64	.010	.25	.660	16.76	10
03-850-06	03-851-06	.3760	9.550	.8125	20.638	.312	7.92	.406	10.31	.475	12.06	.020	.51	.712	18.08	9
03-850-07	03-851-07	.4385	11.138	.9062	23.017	.343	8.71	.437	11.10	.530	13.46	.020	.51	.806	20.47	8
03-850-08	03-851-08	.5010	12.725	1.0000	25.400	.390	9.91	.500	12.70	.600	15.24	.020	.51	.876	22.25	8
03-850-09	03-851-09	.5635	14.313	1.0937	27.780	.437	11.10	.562	14.27	.670	17.02	.020	.51	.970	24.64	8
03-850-10	03-851-10	.6260	15.900	1.1875	30.162	.500	12.70	.625	15.88	.739	18.77	.020	.51	1.063	27.00	8
03-850-12	03-851-12	.7510	19.075	1.4375	36.512	.593	15.06	.750	19.05	.920	23.37	.030	.76	1.313	33.35	8
03-850-14	03-851-14	.8760	22.250	1.5625	39.688	.703	17.86	.875	22.22	.980	24.89	.030	.76	1.438	36.53	8
03-850-16	03-851-16	1.0010	25.425	1.7500	44.450	.797	20.24	1.000	25.40	1.118	28.40	.030	.76	1.626	41.30	9

⁽¹⁾Chamfered Type only.

⁽²⁾Grooved Type only. See page 17 for groove dimensions.

LOAD RATINGS

Bearing Number	Bearing Number	Oscillating Radial Load Rating ⁽¹⁾		Radial Limit Load Rating ⁽¹⁾		No Load Rotational Breakaway Torque				Weight Approx.	
		lbs.	N	lbs.	N	Standard		"K" Type		lbs.	kg
03-850-03	03-851-03	1500	6700	2800	12500	1-5	.11-.57	0-0.5	0-.06	0.009	0.004
03-850-04	03-851-04	2650	11800	5550	25000	1-5	.11-.57	0-0.5	0-.06	0.012	0.005
03-850-05	03-851-05	3700	16500	7700	34500	1-15	.11-1.7	0-1	0-.11	0.017	0.008
03-850-06	03-851-06	4900	21800	10200	45500	1-15	.11-1.7	0-1	0-.11	0.023	0.010
03-850-07	03-851-07	6700	30000	12950	58000	1-15	.11-1.7	0-1	0-.11	0.029	0.013
03-850-08	03-851-08	8250	37000	17250	77000	1-15	.11-1.7	0-1	0-.11	0.040	0.018
03-850-09	03-851-09	10600	47200	22150	99000	1-15	.11-1.7	0-1	0-.11	0.052	0.023
03-850-10	03-851-10	13250	59000	27700	123500	1-15	.11-1.7	0-1	0-.11	0.069	0.031
03-850-12	03-851-12	19400	86300	40600	181000	1-15	.11-1.7	0-1	0-.11	0.121	0.055
03-850-14	03-851-14	26750	119000	55950	250000	1-25	.11-2.8	0-2	0-.23	0.156	0.070
03-850-16	03-851-16	35250	157000	73800	329000	1-25	.11-2.8	0-2	0-.23	0.225	0.101

⁽¹⁾Load ratings based on AS81820.