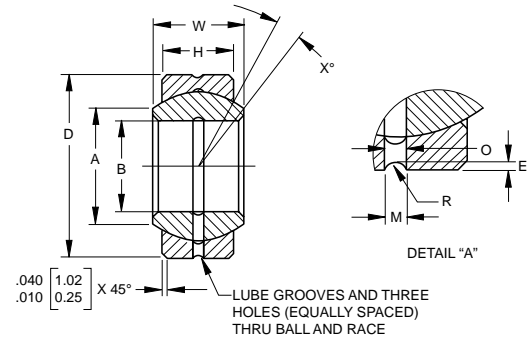


**M81936/2( ) METAL-TO-METAL SPHERICAL BEARING**

**AS81936/2 • AS81936 (FORMERLY MIL-B-81936)**

- Chamfered, lubricated through ball and race
- Material  
Inner ring: Beryllium copper per ASTM B194, B196  
HRC 37 min.  
Outer ring: CRES 17-4PH, AMS 5643, HRC 28 min.
- Prepacked with MIL-PRF-81322 grease



**SPECIFICATIONS AND ORDERING INFORMATION**

**DIMENSIONS – TOLERANCES**

Bearing Number	M 81936/2 Dash No.	B Bore Diameter +.0000 in. -.0005 in. +.000 mm -.013 mm	D Outside Diameter +.0000 in. -.0005 in. +.000 mm -.013 mm	W Widths		A	M	E	R	O	X°	Radial Static Limit Load Rating	Axial Static Limit Load Rating	Weight Max.
				+.000 in. -.005 in. +.00mm -.13mm	+.000 in. -.005 in. +.00mm -.13mm									
03-580-04	-4	0.25 6.35	0.6562 16.667	0.343 8.71	.250 6.35	0.357 9.07	.042/.078 1.07/1.98	.010/.015 0.25/0.38	.030/.057 0.76/1.45	.032/.062 0.81/1.57	12	6330 28000	1930 8500	0.03 0.014
03-580-05	-5	0.3125 7.938	0.75 19.05	0.375 9.52	.281 7.14	.413 10.49	.042/.078 1.07/1.98	.010/.015 0.25/0.38	.030/.062 0.76/1.57	.042/.062 1.07/1.57	11	8460 37500	2450 11000	0.04 0.018
03-580-06	-6	0.375 9.525	0.8125 20.638	0.406 10.31	.312 7.92	0.509 12.93	.042/.078 1.07/1.98	.010/.015 0.25/0.38	.030/.062 0.76/1.57	.042/.062 1.07/1.57	9	11400 51000	3090 13500	0.06 0.023
03-580-07	-7	0.4375 11.112	0.9062 23.017	0.437 11.1	.343 8.71	0.563 14.3	.065/.094 1.65/2.39	.010/.015 0.25/0.38	.060/.080 1.52/2.03	.052/.062 1.32/1.57	8	14800 65500	3740 16500	0.06 0.027
03-580-08	-8	0.5 12.7	1 25.4	0.5 12.7	.39 9.91	0.634 16.1	.065/.094 1.65/2.39	.010/.015 0.25/0.38	.060/.080 1.52/2.03	.052/.062 1.32/1.57	8	20400 90000	4860 21500	0.08 0.036
03-580-09	-9	0.5625 14.288	1.0937 27.78	0.562 14.27	.437 11.1	0.664 16.87	.065/.094 1.65/2.39	.010/.015 0.25/0.38	.060/.080 1.52/2.03	.052/.062 1.32/1.57	8	26700 118000	6100 27000	0.11 0.05
03-580-10	-10	0.625 15.875	1.1875 30.162	0.625 15.88	.5 12.7	0.732 18.59	.073/.109 1.85/2.77	.010/.015 0.25/0.38	.070/.106 1.78/2.69	.062/.078 1.57/1.98	8	33100 146000	8080 36000	0.14 0.064
03-580-12	-12	0.75 19.05	1.4375 36.512	0.75 19.05	.593 15.06	0.913 23.19	.073/.109 1.85/2.77	.010/.015 0.25/0.38	.070/.106 1.78/2.69	.062/.078 1.57/1.98	8	50000 224000	11440 51000	0.24 0.109
03-580-13	-13	0.8125 20.638	1.5625 39.688	0.812 20.62	.65 16.51	0.984 24.99	.073/.109 1.85/2.77	.010/.015 0.25/0.38	.070/.106 1.78/2.69	.062/.078 1.57/1.98	8	59000 260000	13800 61000	0.31 0.141
03-580-14	-14	0.875 22.225	1.6562 42.067	0.875 22.22	.703 17.86	1.054 26.77	.073/.109 1.85/2.77	.010/.015 0.25/0.38	.070/.106 1.78/2.69	.062/.078 1.57/1.98	8	70300 315000	16160 72000	0.37 0.168
03-580-16	-16	1 25.4	1.875 47.625	1 25.4	.797 20.24	1.193 30.3	.082/.109 2.08/2.77	.010/.015 0.25/0.38	.090/.110 2.29/2.79	.078/.093 1.98/2.36	8	77700 345000	20850 92500	0.53 0.24
03-580-18	-18	1.125 28.575	2.125 53.975	1.125 28.58	.9 22.86	1.334 33.88	.082/.109 2.08/2.77	.010/.015 0.25/0.38	.090/.110 2.29/2.79	.078/.093 1.98/2.36	8	121500 540000	26740 119000	0.77 0.349
03-580-20	-20	1.25 31.75	2.3125 58.738	1.25 31.75	1 25.4	1.473 37.41	.082/.109 2.08/2.77	.010/.015 0.25/0.38	.090/.110 2.29/2.79	.078/.093 1.98/2.36	8	152000 680000	33065 147000	1 0.454
03-580-22	-22	1.375 34.925	2.5625 65.088	1.375 34.92	1.1 27.94	1.654 42.01	.082/.109 2.08/2.77	.010/.015 0.25/0.38	.090/.110 2.29/2.79	.078/.093 1.98/2.36	8	186000 830000	40120 178000	1.17 0.531
03-580-24	-24	1.5 38.1	2.8125 71.438	1.5 38.1	1.2 30.48	1.794 45.57	.082/.109 2.08/2.77	.010/.015 0.25/0.38	.090/.110 2.29/2.79	.078/.093 1.98/2.36	8	224000 1000000	47820 212000	1.79 0.812