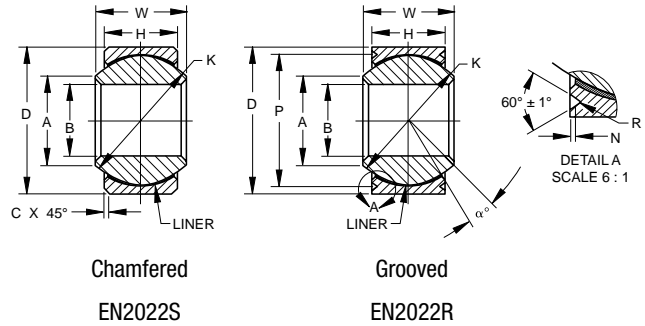


## EN2022

### European Standards

- Light series, self-lubricated
- All dimensions are metric
- Material  
 Outer ring: CRES 17-4PH, EN2136 or EN2539  
 Inner ring: CRES 440C, EN2030  
 Liner: Fibriloid® or “E” Uniflon® qualified to AS81820  
 (qualification to EN2064 pending)



## SPECIFICATIONS AND ORDERING INFORMATION

Dash No	Ball				Outer race		Chamfer C	V-groove			Loads			Movement		Weight (g)
	Ø B Bore	Ø A	W Width	Ø K	Ø D O. diam.	H Width		Ø P	N	R	Radial Cs	Axial Ca	Oscillating Load	Angle α°	No-load rotational breakaway torque (Nm)	
	Tol. (µm)	Mini	+ 0.00 - 0.06		Tol. (µm)	+ 0.1 - 0.1		+ 0.1 - 0.0	+ 0.0 - 0.2	+ 0.1 - 0.0	(kN)					
12	12		14.3	10	17.5	22										
15	15	0	18.7	12	22.2	26	0.8	+0.4 -0.3								
17	17	-8	21.2	14	25.4	30			0.7	0.2				0.12 to 0.80		
20	20	0	24.9	16	29.6	35										
25	25	-10	30.0	20	36.0	42	1	+0.5 -0.4						0.25 to 1.00		
30	30		34.3	22	40.7	47			0.9					0.40 to 2.00		
35	35		40.5	25	47.6	55										
40	40	0	45.0	28	53.0	62										
45	45	-12	51.3	32	60.4	68	1.2	+0.5 -0.4						0.60 to 3.50		
50	50		58.2	35	67.9	75			1.4	0.3						

Bearing configuration	Part number designations for a 12mm bore, wide series, spherical bearing
Chamfered outer ring	EN2022S12 RBC part number 03-872-12 (Fibriloid® liner)
Grooved outer ring	EN2022R12 RBC part number 03-871-12 (Fibriloid® liner)