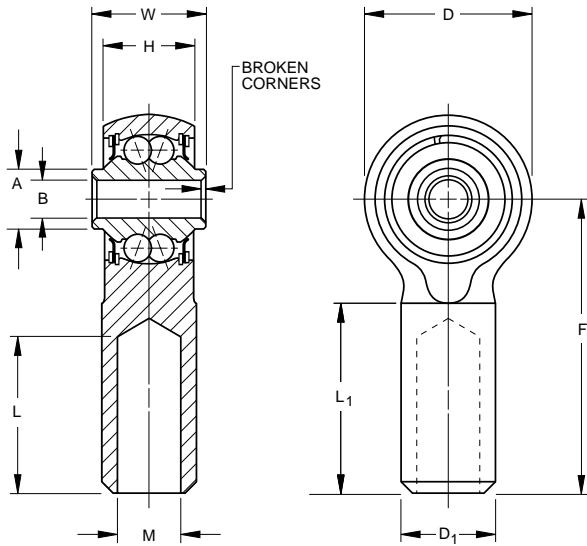


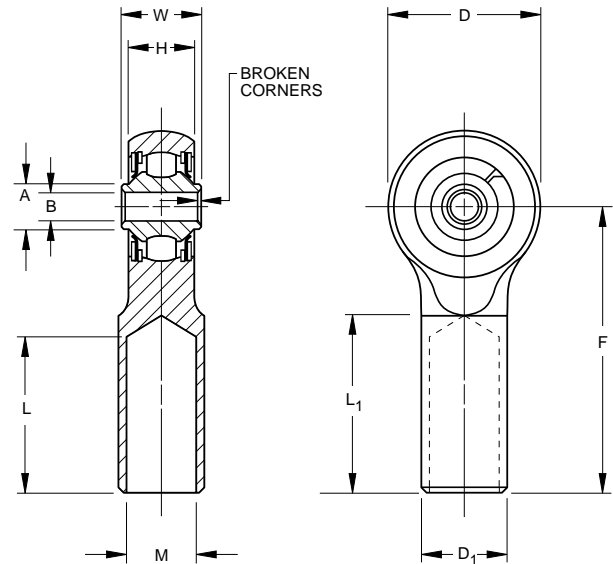
NAS-660

- NAS-660 series⁽¹⁾
- Self-aligning
- 3-way balanced design brings shank strength, bolt strength and bearing capacity all in balance
- “Pressurized” shanks are designed to withstand column action under compression with angularity as high as 9°

- Permissible misalignment is 10° in either direction (total 20°)
- Ultimate shank tensile strength is 125,000 to 180,000 psi
- Equipped with molded rubber seals when specified
- Exposed surfaces except bore, cap, and seals are cadmium plated
- Prepacked with lubricant conforming to MIL-PRF-23827



RA Ball Type



RR Roller Type

BALL BEARING ROD ENDS

SPECIFICATIONS AND ORDERING INFORMATION

TO ORDER, SPECIFY BEARING NUMBER AND FACTORY SPECIFICATION. SEE TABLE 1 ON PG 8. (Example RA3H7 FS464)

Bearing ⁽¹⁾ Number	NAS 660 Dash No.	Bore B		Outside Diameter D		Widths		A	L	L ₂	L ₁	D ₁	L ₃	M	Wt.	Radial Limit Load Rating											
		+0.0000,-.0005 +0.000,-.013		±.010 ±.25		+0.000,-.005 +0.00,-.13		+0.010,-.005 +0.25,-.13		Approx.	±.010 ±.25	REF.	±.010 ±.25	+0.000,-0.002 +0.25,-.05	+0.010,-0.001 +0.25,-.03		Approx.										
		in.	mm	in.	mm	in.	mm	in.	mm	in.	mm	in.	mm	in.	mm	lbs.	kg	lbf.	N								
RA3H7	-3-7	0.1900	4.826	0.781	19.84	0.562	14.27	0.438	11.13	0.312	7.92	1.538	39.07	1.934	49.12	0.785	19.94	0.430	10.92	0.975	24.76	0.281	7.14	0.06	0.027	1000	4400
RA4H9	-4-9	0.2500	6.350	0.938	23.83	0.687	17.45	0.531	13.49	0.365	9.27	1.75	44.45	2.219	56.36	0.941	23.90	0.555	14.10	1.125	28.58	0.406	10.31	0.12	0.054	1720	7650
RA4H11	R4-11	0.2500	6.350	1.063	27.00	0.625	15.88	0.469	11.91	0.404	10.26	2.163	54.94	2.694	68.43	1.285	32.64	0.680	17.27	1.475	37.46	0.516	13.11	0.19	0.086	3025	13400
RR5H14	R5-14	0.3125	7.938	1.438	36.53	0.812	20.62	0.656	16.66	0.515	13.08	2.906	73.81	3.625	92.08	1.785	45.34	0.870	22.10	2.094	53.19	0.703	17.86	0.4	0.181	7350	32500
RR6H16	R6-16	0.3750	9.525	1.750	44.45	0.937	23.80	0.750	19.05	0.564	14.33	3.25	82.55	4.125	104.78	1.785	45.34	0.995	25.27	2.000	50.80	0.812	20.62	0.66	0.299	9600	42500

⁽¹⁾ When ordering as NAS part, add suffix “FS237” to part number. (Example RA4H11 FS237)

⁽²⁾ Thrust rating is 20% of radial load rating.