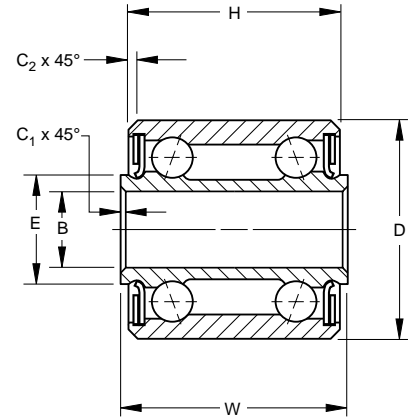


MS27647 • SAE-AS7949 (DW Series)

- Extra wide, double row, ball, medium duty
- PTFE seals and CRES sealcaps
- Exposed surfaces except bore, caps, and seals are cadmium plated
- Prelubricated for life
- Also offered with CRES 440C material and/or zinc nickel plating per OEM specifications



SPECIFICATIONS AND ORDERING INFORMATION

TO ORDER, SPECIFY BEARING NUMBER AND FACTORY SPECIFICATION. SEE TABLE 1 ON PG 8. (Example DW4K2 FS464)

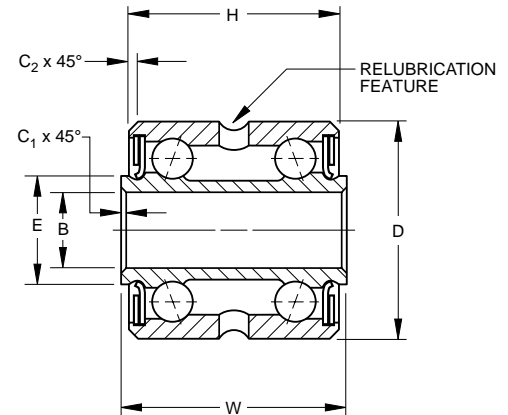
Bearing Number	MS 27647 Dash No.	Bore B		Outside Diameter D		Widths		E	C ₁		C ₂		Wt.		Radial Limit Load Rating	Thrust Limit Load Rating					
		in.	mm	in.	mm	W	H		in.	mm	in.	mm	lbs.	kg			lb.	N			
		+0.0000, -0.0005 +0.000, -0.013		+0.0000, -0.0005 +0.000, -0.013		+0.000, -0.005 +0.00, -0.13	+0.000, -0.005 +0.00, -0.13	Approx.	+0.015, -0.000 +0.38, -0.00	+0.015, -0.000 +0.38, -0.00	Approx.										
DW4K2 ⁽¹⁾	-4A	0.2500	6.350	0.6250	15.875	0.562	14.27	0.500	12.70	0.339	8.61	0.005	0.13	0.016	0.41	0.025	0.011	1400	6200	500	2240
DW4K ⁽¹⁾	-4	0.2500	6.350	0.7500	19.050	0.875	22.22	0.750	19.05	0.380	9.65	0.005	0.13	0.016	0.41	0.04	0.018	2770	12200	900	4000
DW4	-	0.2500	6.350	0.7500	19.050	0.875	22.22	0.750	19.05	0.375	9.52	0.005	0.13	0.016	0.41	0.06	0.027	3750	16600	1240	5500
DW5	-5	0.3125	7.938	0.8750	22.225	0.938	23.83	0.813	20.65	0.469	11.91	0.005	0.13	0.016	0.41	0.07	0.032	5140	22800	1600	7100
DW6	-6	0.3750	9.525	1.0625	26.988	1.188	30.18	1.063	27.00	0.573	14.55	0.005	0.13	0.016	0.41	0.12	0.054	8440	37500	2600	11600
DW8	-8	0.5000	12.700	1.4375	36.512	1.500	38.10	1.375	34.92	0.712	18.08	0.005	0.13	0.032	0.81	0.29	0.132	15520	69500	4700	20800

⁽¹⁾ Retainer type.

AIRFRAME CONTROL BALL BEARINGS

MS27647 • SAE-AS7949 (GDW Series)

- Extra wide, double row, ball, medium duty
- PTFE, seals and CRES sealcaps
- Exposed surfaces except bore, caps, and seals are cadmium plated
- Dimensionally interchangeable with the DW series, the GDW series is relubricable through holes and a groove in the outer ring
- Prelubricated for life
- Also offered with CRES 440C material and/or zinc nickel plating per OEM specifications



SPECIFICATIONS AND ORDERING INFORMATION

TO ORDER, SPECIFY BEARING NUMBER AND FACTORY SPECIFICATION. SEE TABLE 1 ON PG 8. (Example GDW4K2 FS464)

Bearing Number	MS 27647 Dash No.	Bore B		Outside Diameter D		Widths		E	C ₁		C ₂		Wt.		Radial Limit Load Rating	Thrust Limit Load Rating					
		in.	mm	in.	mm	W	H		in.	mm	in.	mm	lbs.	kg			lb.	N			
		+0.0000, -0.0005 +0.000, -0.013		+0.0000, -0.0005 +0.000, -0.013		+0.000, -0.005 +0.00, -0.13	+0.000, -0.005 +0.00, -0.13	Approx.	+0.015, -0.000 +0.38, -0.00	+0.015, -0.000 +0.38, -0.00	Approx.										
GDW4K2 ⁽¹⁾	-4AG	0.2500	6.350	0.6250	15.875	0.562	14.27	0.500	12.70	0.339	8.61	0.005	0.13	0.016	0.41	0.025	0.011	1400	6200	500	2240
GDW4K ⁽¹⁾	-4G	0.2500	6.350	0.7500	19.050	0.875	22.22	0.750	19.05	0.380	9.65	0.005	0.13	0.016	0.41	0.04	0.018	2770	12200	900	4000
GDW4	-	0.2500	6.350	0.7500	19.050	0.875	22.22	0.750	19.05	0.375	9.52	0.005	0.13	0.016	0.41	0.06	0.027	3750	16600	1240	5500
GDW5	-5G	0.3125	7.938	0.8750	22.225	0.938	23.83	0.813	20.65	0.469	11.91	0.005	0.13	0.016	0.41	0.07	0.032	5140	22800	1600	7100
GDW6	-6G	0.3750	9.525	1.0625	26.988	1.188	30.18	1.063	27.00	0.573	14.55	0.005	0.13	0.016	0.41	0.12	0.054	8440	37500	2600	11600
GDW8	-8G	0.5000	12.700	1.4375	36.512	1.500	38.10	1.375	34.92	0.712	18.08	0.005	0.13	0.032	0.81	0.29	0.132	15520	69500	4700	20800

⁽¹⁾ Retainer type.