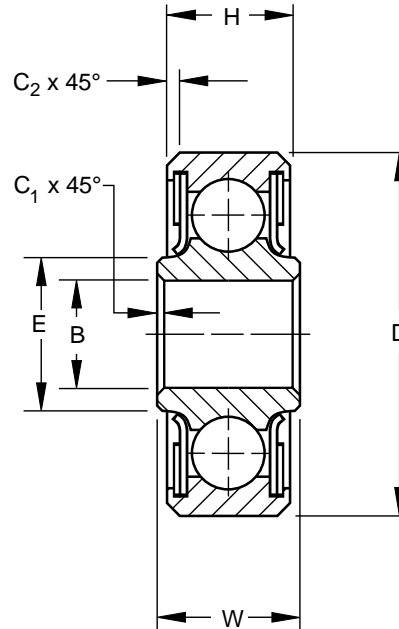


## MS27640 • SAE-AS7949

- Single row, ball, heavy duty
- PTFE seals and CRES sealcaps
- Exposed surfaces except bore, caps, and seals are cadmium plated
- Prelubricated for life
- Also offered with CRES 440C material and/or zinc nickel plating per OEM specifications



AIRFRAME CONTROL BALL BEARINGS

## SPECIFICATIONS AND ORDERING INFORMATION

**TO ORDER, SPECIFY BEARING NUMBER AND FACTORY SPECIFICATION. SEE TABLE 1 ON PG 8. (Example KP3L FS464)**

Bearing Number	MS 27640 Dash No.	Bore B		Outside Diameter D		Widths				E		C <sub>1</sub>		C <sub>2</sub>		Wt.		Radial Limit Load Rating	Thrust Limit Load Rating		
		+0.0000, -0.0005 +0.000, -0.013	+0.0000, -0.0005 +0.000, -0.013	+0.000, -0.005 +0.00, -0.13	+0.000, -0.005 +0.00, -0.13	Approx.	+0.015, -0.000 +0.38, -0.00	+0.015, -0.000 +0.38, -0.00	Approx.	lbs.	kg	lb.	N	lb.	N						
KP3L <sup>(1)</sup>	-3A	0.1900	4.826	0.6250	15.875	0.245	6.22	0.203	5.16	0.285	7.24	0.005	0.13	0.010	0.25	0.01	0.005	1560	6950	700	3100
KP3	-3	0.1900	4.826	0.7774	19.746	0.297	7.54	0.270	6.86	0.336	8.53	0.005	0.13	0.022	0.56	0.03	0.014	1880	8400	900	4000
KP4	-4	0.2500	6.350	0.9014	22.896	0.484	12.29	0.335	8.51	0.395	10.03	0.005	0.13	0.032	0.81	0.04	0.018	2680	12000	1200	5300
KP5	-5	0.3125	7.938	1.2500	31.750	0.558	14.17	0.375	9.53	0.474	12.04	0.015	0.38	0.032	0.81	0.09	0.041	5620	25000	2500	11200
KP6	-6	0.3750	9.525	1.4375	36.513	0.620	15.75	0.469	11.91	0.596	15.14	0.015	0.38	0.032	0.81	0.15	0.068	7910	35500	3500	15600
KP8	-8	0.5000	12.700	1.6875	42.863	0.620	15.75	0.500	12.70	0.773	19.63	0.015	0.38	0.044	1.12	0.21	0.095	11800	52500	5200	23200
KP10	-10	0.6250	15.875	1.9375	49.213	0.620	15.75	0.500	12.70	0.855	21.72	0.015	0.38	0.044	1.12	0.28	0.127	14100	62800	6200	27600

<sup>(1)</sup> Bonded PTFE Seals.