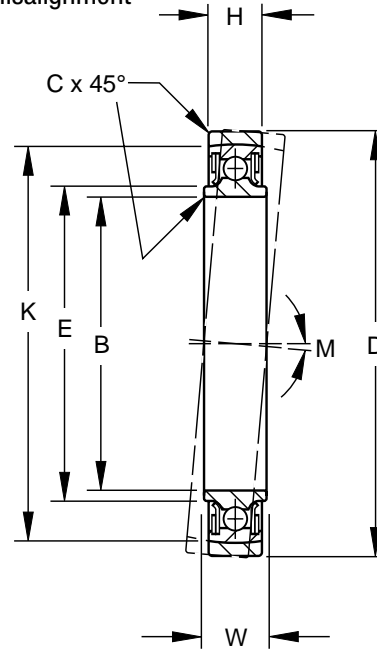


MKP-BS Precision Series

- Single row, ball, externally self-aligning, extra light duty
- PTFE seals and CRES sealcaps
- Exposed surfaces except bore, caps, and seals are cadmium plated
- Prelubricated for life
- This series is internally identical to the MKP-B series. Self-alignment is provided by an external self-aligning ring whose internal spherical-ground surface is accurately matched to the external spherical-ground surface of the outer ring. These bearings are designed to compensate for initial misalignment
- Also offered with CRES 440C material and/or zinc nickel plating per OEM specifications



AIRFRAME CONTROL BALL BEARINGS

SPECIFICATIONS AND ORDERING INFORMATION

TO ORDER, SPECIFY BEARING NUMBER AND FACTORY SPECIFICATION. SEE TABLE 1 ON PG 8. (Example MKP16BS FS464)

| Bearing Number 52100 [†] | Bore B | | Outside Diameter D | | Widths | | | | E | C | | K To Sharp Corner (Ref.) | M Mis-alignment Either Direction (Ref.) | Wt. | | Radial Limit Load Rating | Thrust Limit Load Rating | | | | |
|--------------------------------------|------------------------------------|--------|------------------------------------|---------|------------------------------------|--------|--------------------------------|-------|-------|--------------------------------|-------|--------------------------|---|---------|-------|--------------------------|--------------------------|-------|--------|------|-------|
| | +0.0000, -0.0005 +0.000, -0.013 | | +0.0000, -0.0010 +0.000, -0.025 | | +0.0000, -0.0025 +0.000, -0.064 | | +0.000, -0.005 +0.00, -0.13 | | | +0.015, -0.000 +0.38, -0.00 | | | | Approx. | | | | | | | |
| | in. | mm | in. | mm | in. | mm | in. | mm | in. | mm | in. | mm | lbs. | kg | lbf. | N | lbf. | N | | | |
| MKP16BS | 1.0000 | 25.400 | 1.9375 | 49.213 | 0.4370 | 11.100 | 0.375 | 9.53 | 1.150 | 29.21 | 0.024 | 0.61 | 1.709 | 43.41 | 7°25' | 0.18 | 0.082 | 8085 | 36000 | 1600 | 7100 |
| MKP21BS | 1.3125 | 33.338 | 2.2500 | 57.150 | 0.4370 | 11.100 | 0.375 | 9.53 | 1.465 | 37.21 | 0.024 | 0.61 | 2.028 | 51.51 | 6°30' | 0.20 | 0.091 | 9840 | 43800 | 2000 | 9000 |
| *MKP23BS | 1.4375 | 36.612 | 2.3750 | 60.325 | 0.4370 | 11.100 | 0.375 | 9.53 | 1.585 | 40.26 | 0.024 | 0.61 | 2.155 | 54.74 | 6° | 0.22 | 0.100 | 10500 | 46700 | 2200 | 9800 |
| MKP25BS | 1.5625 | 39.688 | 2.5000 | 63.500 | 0.4370 | 11.100 | 0.375 | 9.53 | 1.700 | 43.18 | 0.024 | 0.61 | 2.282 | 57.96 | 5°45' | 0.25 | 0.113 | 11300 | 50300 | 2300 | 10200 |
| MKP29BS | 1.8125 | 46.038 | 2.7500 | 69.850 | 0.4370 | 11.100 | 0.375 | 9.53 | 1.940 | 49.28 | 0.024 | 0.61 | 2.535 | 64.39 | 5° | 0.27 | 0.122 | 12700 | 56500 | 2600 | 11600 |
| *MKP33BS | 2.0625 | 52.388 | 3.0000 | 76.200 | 0.4370 | 11.100 | 0.375 | 9.53 | 2.234 | 56.74 | 0.024 | 0.61 | 2.787 | 70.79 | 5° | 0.30 | 0.136 | 14400 | 64000 | 2900 | 12900 |
| *MKP37BS | 2.3125 | 58.738 | 3.2500 | 82.550 | 0.4370 | 11.100 | 0.375 | 9.53 | 2.475 | 62.87 | 0.024 | 0.61 | 3.039 | 77.19 | 4°30' | 0.33 | 0.150 | 15800 | 70300 | 3200 | 14300 |
| *MKP47BS | 2.9375 | 74.612 | 4.1250 | 104.775 | 0.5310 | 13.490 | 0.469 | 11.91 | 3.105 | 78.87 | 0.039 | 0.99 | 3.846 | 97.69 | 4°30' | 0.64 | 0.290 | 24700 | 110000 | 5000 | 22300 |
| MKP48BS | 3.0000 | 76.200 | 4.2500 | 107.950 | 0.5310 | 13.490 | 0.469 | 11.91 | 3.230 | 82.04 | 0.039 | 0.99 | 3.972 | 100.89 | 4° | 0.69 | 0.313 | 27500 | 122000 | 5500 | 24500 |
| MKP49BS | 3.0625 | 77.788 | 4.2500 | 107.950 | 0.5310 | 13.490 | 0.469 | 11.91 | 3.230 | 82.04 | 0.039 | 0.99 | 3.972 | 100.89 | 4° | 0.69 | 0.313 | 27500 | 122000 | 5500 | 24500 |

* Check for availability.

[†] For CRES 440C material prefix "A" in part number; e.g., AMKP16BS