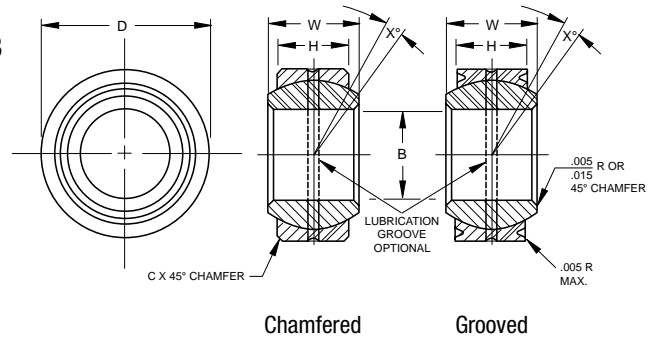


## METAL-TO-METAL SPHERICAL BEARING, WIDE

- Material Option #1  
Outer ring: 17-4PH CRES (Corrosion resistant steel) AMS 5643  
Inner ring: CRES 440C, HRC 55 min. AMS 5630
- Material Option #2  
Outer ring: Aluminum bronze  
Inner ring: CRES 440C CRES, HRC 55 min. AMS 5630



## SPECIFICATIONS AND ORDERING INFORMATION

### DIMENSIONS – TOLERANCES

MATERIAL OPTION #1	MATERIAL OPTION #2	B		D		H		W		A		C <sup>(1)</sup>		p <sup>(2)</sup> Groove Pitch Diameter		X°		
Chamfered 03-504 WSSxxJ Grooved 03-506 WSSGxxJ	Chamfered 03-524 WBxxJ Grooved 03-526 WBGxxJ	+0.000, -0.0005 +0.000, -0.013		+0.000, -0.0005 +0.000, -0.013		±.005 ±.13		+0.000, -0.002 +0.00, -0.05		Min.		+0.015, -0.000 +0.38, -0.00		+0.000 in., -0.010 in. +0.00 mm, -0.25mm		Ref.		
Dash No.	Dash No.	in.	mm	in.	mm	in.	mm	in.	mm	in.	mm	in.	mm	in.	mm			
-03	03	-03	03	.1900	4.826	.6250	15.875	.327	8.31	.437	11.10	.300	7.62	.015	.38	.563	14.30	15
-04	04	-04	04	.2500	6.350	.6250	15.875	.327	8.31	.437	11.10	.300	7.62	.015	.38	.563	14.30	15
-05	05	-05	05	.3125	7.938	.6875	17.462	.317	8.05	.437	11.10	.360	9.14	.015	.38	.625	15.87	14
-06	06	-06	06	.3750	9.525	.8125	20.638	.406	10.31	.500	12.70	.466	11.84	.015	.38	.714	18.14	8
-07	07	-07	07	.4375	11.112	.9375	23.813	.442	11.23	.562	14.27	.537	13.64	.015	.38	.839	21.31	10
-08	08	-08	08	.5000	12.700	1.0000	25.400	.505	12.83	.625	15.88	.607	15.42	.020	.51	.902	22.91	9
-09	09	-09	09	.5625	14.288	1.1250	28.575	.536	13.61	.687	17.45	.721	18.31	.020	.51	1.027	26.09	10
-10	10	-10	10	.6250	15.875	1.1875	30.163	.567	14.40	.750	19.05	.747	18.97	.020	.51	1.089	27.66	12
-12	12	-12	12	.7500	19.050	1.3750	34.925	.630	16.00	.875	22.22	.845	21.46	.020	.51	1.253	31.83	13
-14	14	-14	14	.8750	22.225	1.6250	41.275	.755	19.18	.875	22.22	.995	25.27	.020	.51	1.503	38.18	6
-16	16	-16	16	1.0000	25.400	2.1250	53.975	1.005	25.53	1.375	34.92	1.269	32.23	.020	.51	2.003	50.88	12
-20	20	-20	20	1.2500	31.750	2.3750	60.325	1.130	28.70	1.500	38.10	1.500	38.10	.020	.51	2.253	57.23	12
-24	24	-24	24	1.5000	38.100	2.6875	68.263	1.223	31.06	1.687	42.85	1.750	44.45	.030	.76	2.565	65.15	13
-28	28	-28	28	1.7500	44.450	3.0000	76.200	1.317	33.45	1.812	46.02	2.050	52.07	.030	.76	2.878	73.10	12
-32	32	-32	32	2.0000	50.800	3.2500	82.550	1.380	35.05	1.937	49.20	2.250	57.15	.030	.76	3.128	79.45	12

<sup>(1)</sup>Chamfered Type only. <sup>(2)</sup>Grooved Type only. See page 17 for groove dimensions.

### LOAD RATINGS

MATERIAL OPTION #1	MATERIAL OPTION #2	Axial Static Limit Load Steel Race		Radial Limit Load Rating <sup>(1)</sup>		Axial Static Limit Load Bronze Race		Weight Approx.			
				CRES	Aluminum Bronze						
Chamfered 03-504 WSSxxJ Grooved 03-506 WSSGxxJ	Chamfered 03-524 WBxxJ Grooved 03-526 WBGxxJ	lb.	N	lb.	N	lb.	N	lbs.	kg		
-03	03	4900	21600	8400	37000	5300	23400	1770	7800	.03	.014
-04	04	4900	21600	8400	37000	5300	23400	1770	7800	.03	.014
-05	05	6060	27000	9600	43000	6000	26700	1640	7350	.03	.014
-06	06	8310	36500	15400	69000	9600	42800	2630	11600	.05	.023
-07	07	11750	52000	20200	90000	12700	56300	3650	16300	.08	.036
-08	08	14950	65500	27000	120000	16900	75000	4970	22000	.10	.045
-09	09	18100	80000	33700	150000	21100	94000	5370	24000	.14	.063
-10	10	20250	90000	38900	173000	24300	108000	6130	27500	.16	.072
-12	12	26200	116000	51500	230000	32200	143000	7730	34500	.23	.104
-14	14	33600	150000	68800	306000	43000	191000	10800	48000	.35	.158
-16	16	56250	250000	127000	563000	79000	352000	19300	86500	.97	.437
-20	20	56250	250000	163000	726000	102000	454000	19300	86500	1.10	.495
-24	24	56250	250000	203000	901000	127000	563000	19300	86500	1.45	.653
-28	28	56250	250000	246000	1095000	154000	685000	19300	86500	1.85	.833
-32	32	56250	250000	277000	1234000	173000	771000	19300	86500	2.15	.968

<sup>(1)</sup>Load ratings based on AS21155 for CRES and Aluminum bronze. Limited by pin bending.